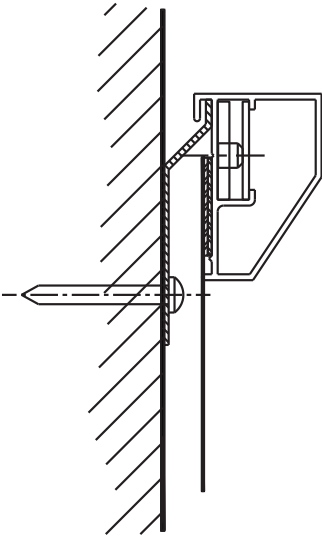


VU-EASY

Fixed Frame Wall Screen



Vu-Easy is our most affordable fixed-wall front projection screen. It's a permanently-tensioned, easy-to-use wall screen that is available in seven screen fabrics to suit your viewing environment. Vu-Easy's standard features include a black beveled frame, our VTS™ system for easy installation and is available in 4:3, 16:9 and 2.35:1 formats to compliment any size viewing room. Vu-Easy is also available in Vutec's award-winning acoustically transparent SoundScreen, that allows speaker placement behind the screen for an optimal sound experience.

Features

- Easy to assemble frame
- Extruded 1 7/8" aluminum beveled frame
- Standard VTS™ (Vutec Tensioning System)
- Installer friendly

Options

- Black velvet finished frame
- Tubular stand legs
- Custom sizes available

Sizes

- (4:3) : 72" - 180" diagonal
- (16:9) : 92" - 147" diagonal
- (2.35:1)

Fabrics

- BriteWhite
- BriteWhite Opaque
- PearlBrite
- Rear-Vu
- GreyDove
- SoundScreen
- GreyDove SoundScreen