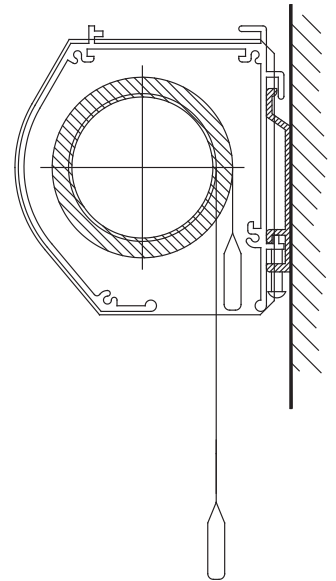


LECTRIC I

Motorized Screen / Supported Fabrics



The Lectric I, Vutec's most popular motorized projection screen features a durable all aluminum housing for wall or ceiling applications. Representing the best value in its class, Lectric 1 comes standard with value-added features, including Vutec's EMS™ EZ-Mounting System, for wall or ceiling applications. Providing users with maximum versatility, Lectric 1 also interfaces with low voltage relays, IR and RF remote controls and is available in 4:3, 16:9, 2.35:1, including A/V formats in five different screen materials.

Features

- Surface mount for wall or ceiling
- Vutec EMS™ (EZ-Mounting System) included
- Heavy duty aluminum housing with choice of black or white finishes
- Quiet motor-in-roller design
- Ribbed aluminum roller featuring Vutec's FRS™ (Fabric Relief Step)
- Standard 12" black leader
- Interfaces with low voltage relays, IR and RF remote controls
- Requires hard wired installation

Options

- Custom sizes
- Additional leader or perforated leader

Sizes

- (1:1) : 50" - 96"
- (4:3) : 72" - 200" diagonal
- (16:9) : 92" - 147" diagonal
- (2.35:1)

Fabrics

- Matte White
- Vu-Flex Pro
- Twin-Vu
- SoundScreen
- GreyDove SoundScreen