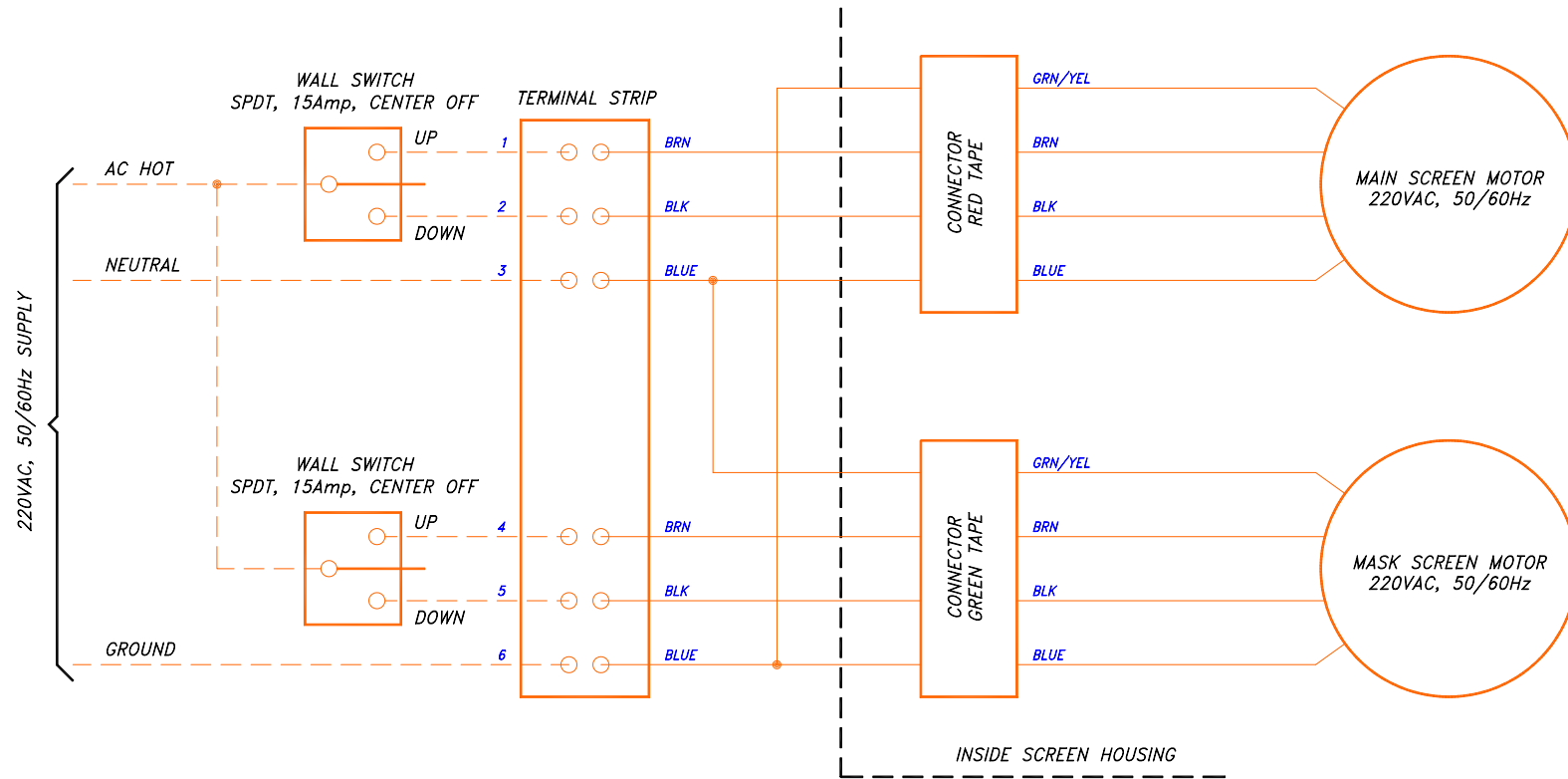


Quote No. \_\_\_\_\_

## WIRING DIAGRAM VISION XMV, 220VAC



**Notes:**

- 1 - Dashed wirings shown are to be connected by installers.
- 2 - Wirings must conform to local and/or national electrical codes and regulations.
- 3 - Wirings must be of minimum 18 AWG.

CAD drawing – NOT TO SCALE

Optional Control Specified		
Project No.	Originator	Date
Customer Signature	Special Notes	Date



**VUTEC CORPORATION**  
 Pompano Beach, Florida  
 Phone: (800) 770-4700  
 Phone: (954) 545-9000  
 Fax: (954) 545-9011  
 E-mail: [info@vutec.com](mailto:info@vutec.com)  
 WWW.VUTEC.COM