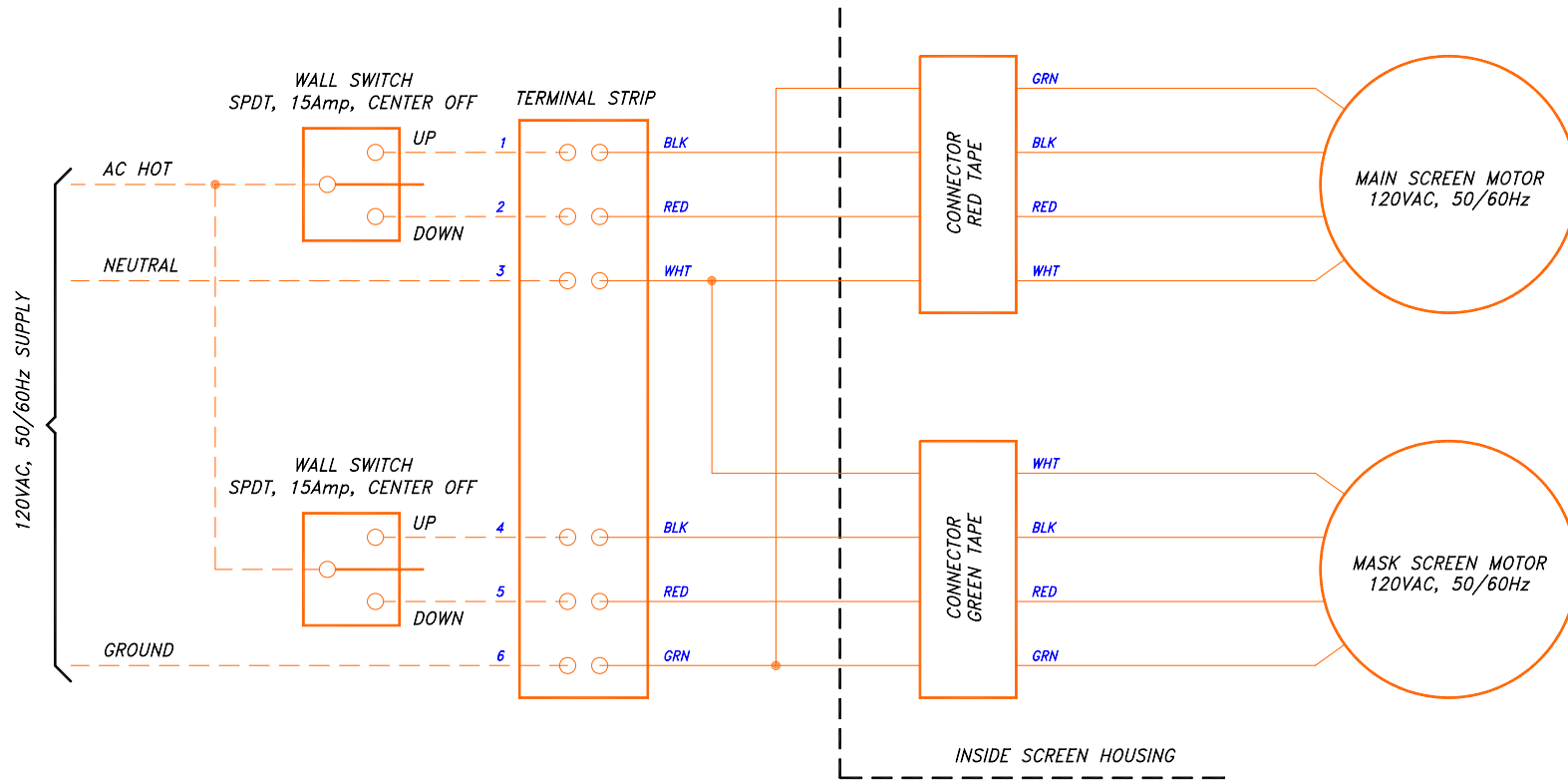


Quote No. _____

WIRING DIAGRAM VISION XMV, 120VAC



- Notes:**
- 1 - Dashed wirings shown are to be connected by installers.
 - 2 - Wirings must conform to local and/or national electrical codes and regulations.
 - 3 - Wirings must be of minimum 18 AWG.

CAD drawing – NOT TO SCALE

Optional Control Specified

Project No.

Originator

Date

Customer Signature

Special Notes

Date



VUTEC CORPORATION
 Pompano Beach, Florida
 Phone: (800) 770-4700
 Phone: (954) 545-9000
 Fax: (954) 545-9011
 E-mail: info@vutec.com
 WWW.VUTEC.COM