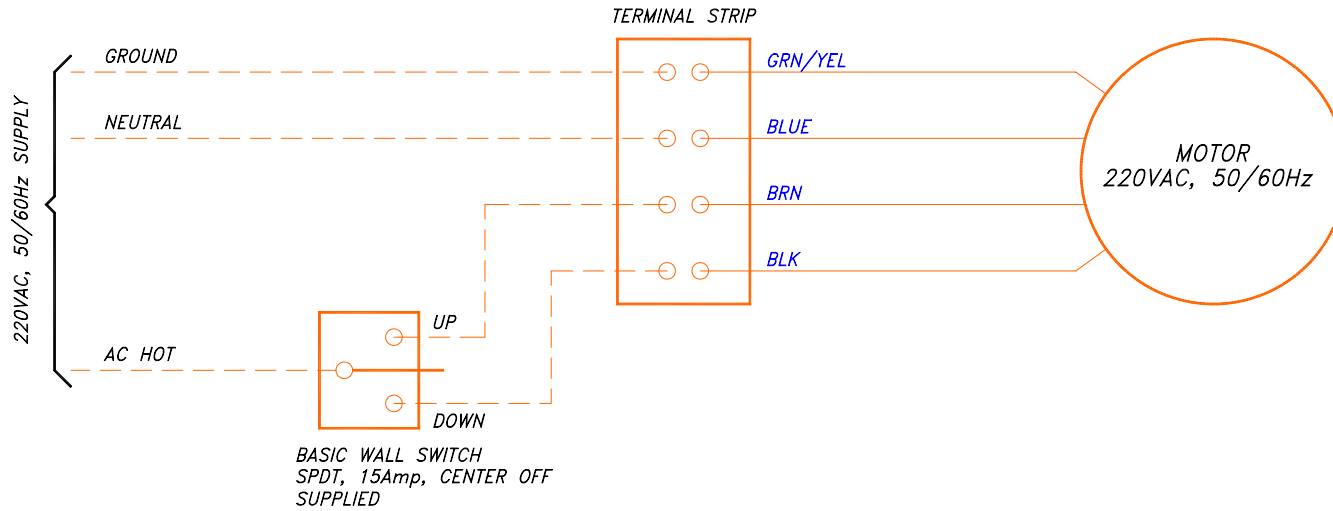


Quote No. _____

WIRING DIAGRAM VISION XFV, 220VAC



Notes:

- 1 - Dashed wirings shown are to be connected by installers.
- 2 - Wirings must conform to local and/or national electrical codes and regulations.
- 3 - Wirings must be of minimum 18 AWG.

CAD drawing – NOT TO SCALE

Optional Control Specified

Project No.

Originator

Date

Customer Signature

Special Notes

Date



VUTEC CORPORATION
Pompano Beach, Florida
Phone: (800) 770-4700
Phone: (954) 545-9000
Fax: (954) 545-9011
E-mail: info@vutec.com
WWW.VUTEC.COM