

# INSTALLATION INSTRUCTIONS

## HOME THEATER SERIES

### FIXED FRAME SCREEN MODEL VISION XWF

Identify the frame pieces and lay them on a clean, flat surface with the backsides face up.

Attach the two corner brackets to both ends of the frame height (short length) as shown in Figure 1.

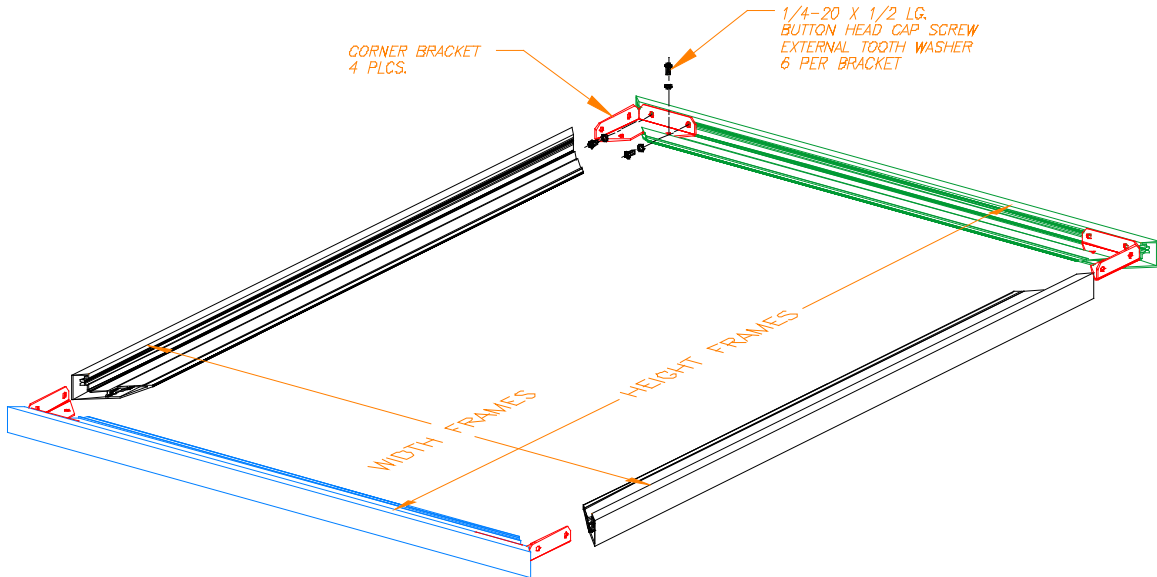


Figure 1

Tighten the cap screws snug. Be sure to use the external tooth washers for proper locking.

Connect the width with the height to form a complete screen frame.

Tighten the cap screws snug. Check for squareness and proper joining of the four corners. Make adjustments as necessary before completely tightening the screws.

***Do not attach the screen fabric to the frame yet!***

Referring to Figures 2 and 3, install the four mounting brackets to the screen frame.

Determine the location of the screen on the wall. Be sure the screen is level when viewed from the front.

While holding the frame against the wall; mark the location of the two visible holes of each bracket.

Remove the mounting brackets from the frame.

Install the mounting brackets to the wall with all three holes on the bracket.

***NOTE:*** All brackets must be mounted on wall studs for proper support. If wall studs are not found, suitable wall anchors (not supplied) should be used.

**VUTEC CORPORATION**

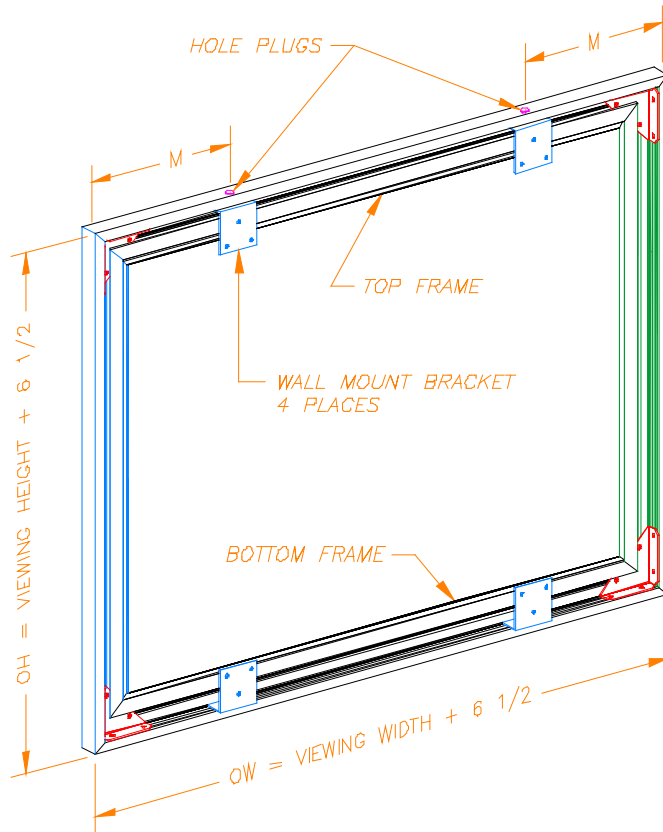
www.vutec.com

TEL: (954)-545-9006

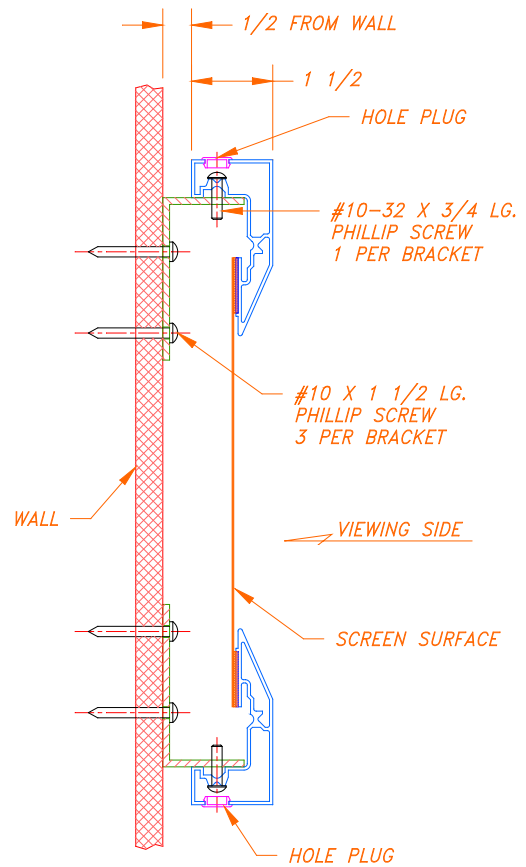
FAX: (954)-545-9011

E-MAIL: info@vutec.com





**Figure 2**  
*Backside of frame*



**Figure 3**  
*Cross section of frame*

Place the screen frame on a clean and flat surface with the backside face up.

Attach the screen fabric to the frame by placing the Velcro on the fabric over the Velcro on the frame. Adjust and stretch tight the screen surface as necessary.

Referring to Figure 3, place the complete screen over the four mounting brackets on the wall. The screen should be approximately 1/2 inch from the wall when the mounting holes are lined up. Insert and tighten the four 10-32 x 3/4 screws through the frame into the mounting brackets.

Insert the four hole plugs.

<b>Hardware supplied:</b>	(4)	Corner bracket
	(4)	Wall mount bracket
	(12)	#10 x 1 1/2 long screw
	(24)	1/4-20 x 1/2 long button head cap screw
	(24)	1/4 external tooth washer
	(4)	#10-32 x 3/4 long pan head Phillip screw
	(4)	Hole plug
	(1)	5/32 hex key

**VUTEC CORPORATION**  
[www.vutec.com](http://www.vutec.com)  
 TEL: (954)-545-9006  
 FAX: (954)-545-9011  
 E-MAIL: [info@vutec.com](mailto:info@vutec.com)

