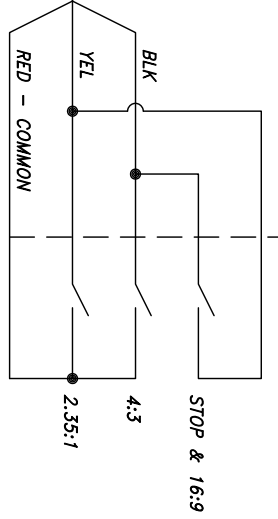
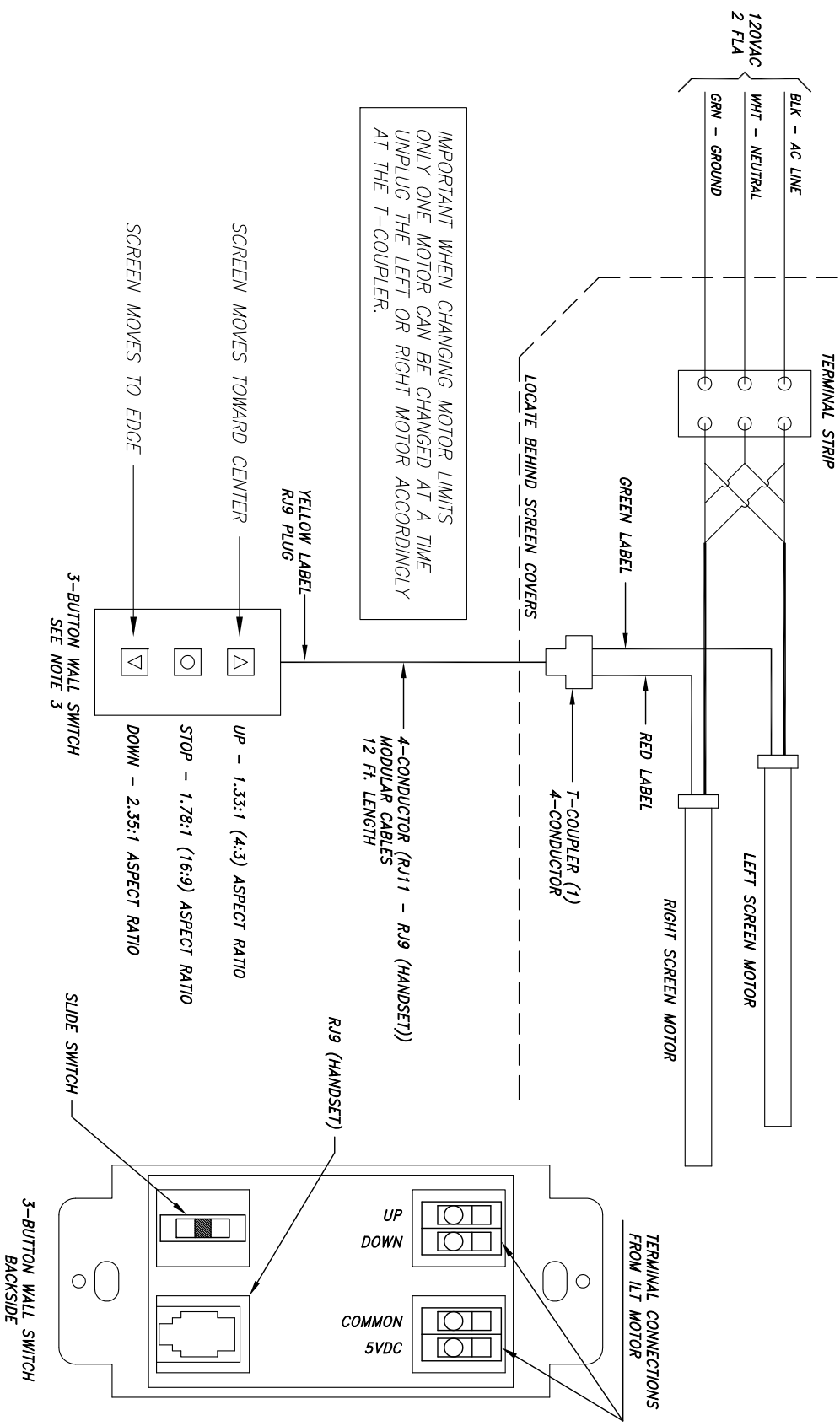


AUTOMATION SYSTEM
 DRY CONTACTS CONTROL
 AMX, CHESTRON ETC.
 SEE NOTE 3



- NOTES:
- 1 - WIRINGS MUST BE INSTALLED BY QUALIFIED ELECTRICIANS AND COMPLIED WITH NATIONAL AND/OR LOCAL ELECTRICAL CODES AND REGULATIONS
 - 2 - PLACE THE IR-6 CONTROLLER IN A CONVENIENT LOCATION FOR EASY ACCESS
 - 3 - OPTIONAL WIRINGS (CABLE SUPPLIED) FOR AUTOMATION SYSTEM CONNECTIONS

VTEC CORPORATION	
DRAWN BY 04/15/09 HN	DESCRIPTION 2741 N.E. 4th AVENUE. POMPANO BEACH, FL 33064
WIRING DIAGRAM - 120 VAC	
VISION XFT	
DRAWING NO. XFTB-SCH120	SCALE: 4/5
SHEET 1 OF 3	
	REV A

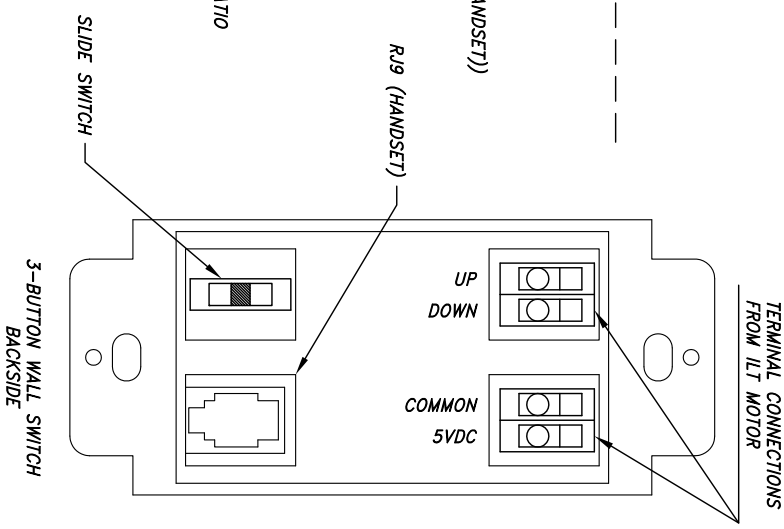


IMPORTANT WHEN CHANGING MOTOR LIMITS ONLY ONE MOTOR CAN BE CHANGED AT A TIME UNPLUG THE LEFT OR RIGHT MOTOR ACCORDINGLY AT THE T-COUPLER.

SCREEN MOVES TOWARD CENTER
 SCREEN MOVES TO EDGE

UP - 1.33:1 (4:3) ASPECT RATIO
 STOP - 1.78:1 (16:9) ASPECT RATIO
 DOWN - 2.35:1 ASPECT RATIO

3-BUTTON WALL SWITCH
 SEE NOTE 3

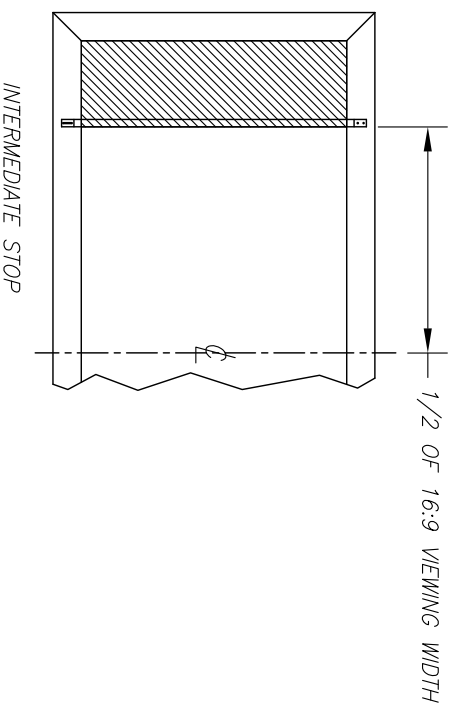
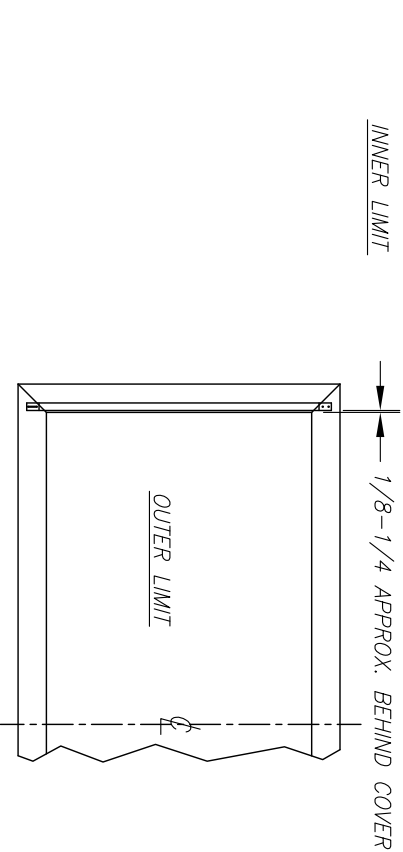
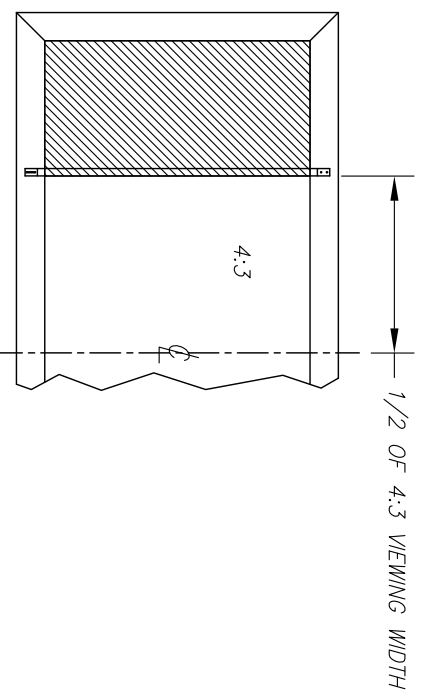


<h1 style="text-align: center;">VUTECH CORPORATION</h1> <p style="text-align: center;">2741 N.E. 4th AVENUE, POMPANO BEACH, FL 33064</p>		DRAWING NO. XFTB-SCH120
		SCALE: 4/5
DRAWN BY 04/15/09 HN	DESCRIPTION WIRING DIAGRAM - 120 VAC VISION XFT	SHEET 2 OF 3
CHECKED BY	REV A	

- CHANGING THE INNER LIMIT (4:3 SCREEN RATIO)
- SET THE SLIDE SWITCH TO LOWER POSITION TO CHANGE THE INNER LIMIT.
- CONTROL OF MOTOR BECOMES MOMENTARY ACTION.
- PRESSING THE UP-ARROW BUTTON MUST MOVE THE SCREEN TOWARD CENTER.
- IF THE SCREEN MOVES IN THE OPPOSITE DIRECTION; MOMENTARY PRESS THE STOP BUTTON TO CHANGE DIRECTION.
- PRESS THE UP-ARROW OR DOWN-ARROW BUTTONS TO MOVE THE SCREEN TO THE DESIRED POSITION. RELEASE THE BUTTON TO STOP THE SCREEN.
- DO NOT PRESS STOP BUTTON TO STOP THE SCREEN!
- SET THE SLIDE SWITCH TO CENTER POSITION TO RETURN TO NORMAL OPERATIONS.

- CHANGING THE OUTER LIMIT (2.35:1 SCREEN RATIO)
- SET THE SLIDE SWITCH TO UPPER POSITION TO CHANGE THE OUTER LIMIT.
- CONTROL OF MOTOR BECOMES MOMENTARY ACTION.
- PRESSING THE DOWN-ARROW BUTTON MUST MOVE THE SCREEN TO THE EDGE.
- IF THE SCREEN MOVES IN THE OPPOSITE DIRECTION; MOMENTARY PRESS THE STOP BUTTON TO CHANGE DIRECTION.
- PRESS THE UP-ARROW OR DOWN-ARROW BUTTONS TO MOVE THE SCREEN TO THE DESIRED POSITION. RELEASE THE BUTTON TO STOP THE SCREEN.
- DO NOT PRESS STOP BUTTON TO STOP THE SCREEN!
- SET THE SLIDE SWITCH TO CENTER POSITION TO RETURN TO NORMAL OPERATIONS.

- CHANGING THE INTERMEDIATE STOP (16:9 SCREEN RATIO)
- THE SLIDE SWITCH MUST BE AT CENTER POSITION FOR NORMAL OPERATIONS.
- PRESS THE UP-ARROW OR DOWN-ARROW BUTTONS TO MOVE THE SCREEN TO THE DESIRED POSITION. PRESS THE STOP BUTTON TO STOP THE SCREEN.
- PRESS AND HOLD THE STOP BUTTON FOR MINIMUM OF 5 SECONDS TO RECORD THE INTERMEDIATE POSITION.
- CHECK ALL THE DESIRED SETTINGS BY PRESSING THE BUTTONS.
- IMPORTANT FEATURE OF THE STOP BUTTON:
WHILE THE SCREEN MOVING; PRESS THE STOP BUTTON WILL CAUSE THE SCREEN TO STOP AT RANDOM.
PRESS THE STOP BUTTON WHILE THE SCREEN IS AT REST WILL CAUSE THE SCREEN TO MOVE TO ITS PROGRAMMED STOP.



SHEET 3 OF 3

VUTECH CORPORATION

2741 N.E. 4th AVENUE. POMPANO BEACH, FL 33064

DRAWN BY

04/15/09 HN

DESCRIPTION

WIRING DIAGRAM - 120 VAC
VISION XFT

DRAWING NO.

XFTB-SCH120

SCALE: 4/5

CHECKED BY

REV
A