

INSTALLATION INSTRUCTIONS

SilverStar* with standard frame

General

The screen is fully assembled from the factory and ready to be mounted.

Unless mounting to wall studs; suitable wall anchors (not supplied) must be used to provide adequate support for the screen.

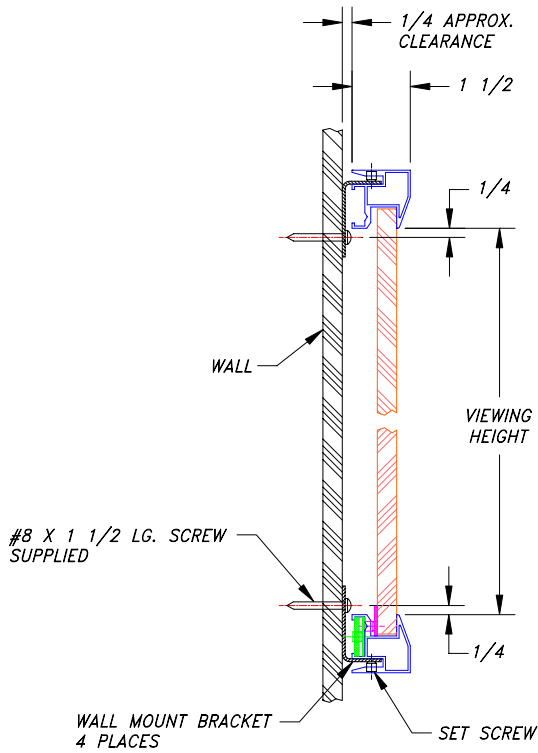


Figure 1

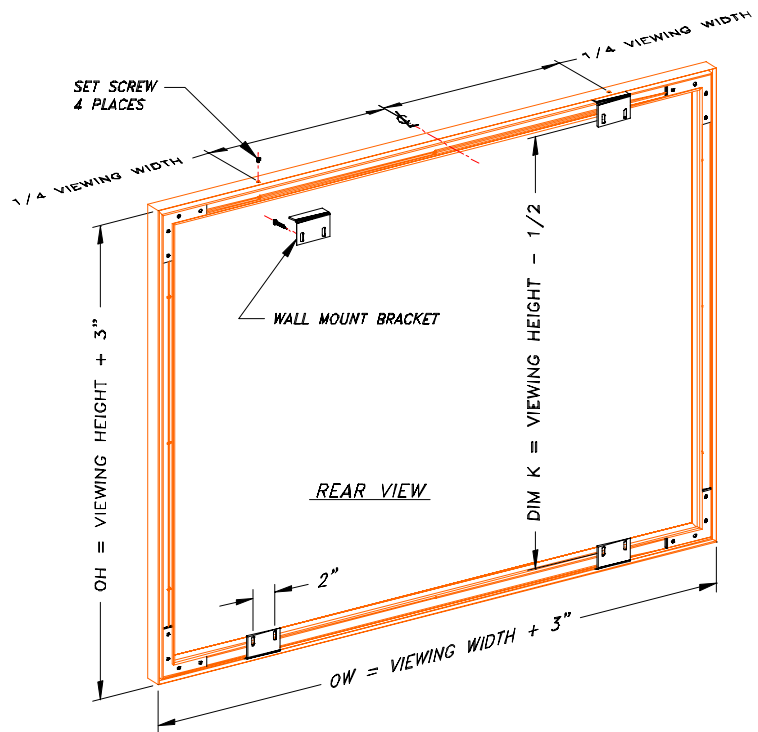


Figure 2

Installation

Referring to Figure 2, determine *Dim K*, the bracket vertical locations. The bracket horizontal locations are located 1/4 of viewing width to the left and 1/4 of viewing width to the right to the setscrews locations.

Install the wall mount brackets. Be sure the brackets are level and tighten the screws.

Referring to Figure 1, place the screen such that the rear channel fit into the wall mount brackets. Tighten the setscrews to hold the screen in place.

Notice the wall mount bracket may be adjusted up and down to properly fit inside the screen rear channel. Make adjustments as necessary.

Accessories Included

| Description | QTY. |
|---------------------------------------|------|
| Wall mount bracket | 4 |
| #8 x 1 1/2 long, Phillip head screw | 8 |
| 1/4-20 x 1/4 long, slot head setscrew | 4 |

*Patent No. 6,724,529



VUTEC CORPORATION
 2741 N.E. 4th Avenue
 Pompano Beach, FL 33064
 TEL: (954) 545-9000 | FAX: (954) 545-9011
 E-MAIL: info@vutec.com