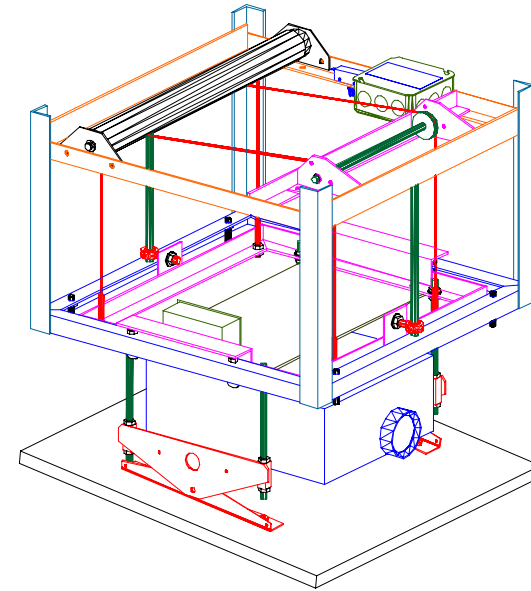
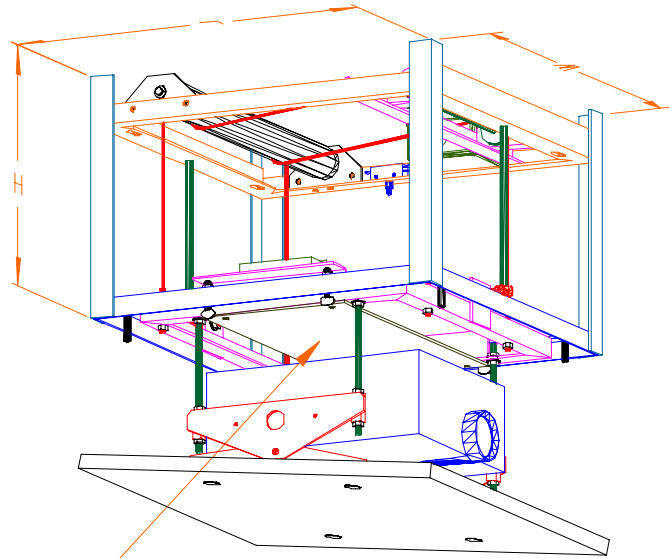


Quote No. _____

PROJECTOR LIFT

MODELS VT08X & VT11X

COMPACT LCD AND DLP PROJECTORS



REQUIRE CEILING MOUNT BRACKET
FOR INSTALLATION
BY INSTALLERS

	MODEL VT08X	MODEL VT11X
Max. Projector space (HWL)	8 x 14 ½ x 16	11 x 17 ½ x 19
Overall dimensions (HWL)	14 x 20 x 20	17 x 23 x 23
Min. space above finished ceiling	14	17
Ceiling closure panel (WL)	20 x 20	23 x 23
Downward travel (in/cm)	8/20,3	11/28
Travel time (approx.)	6 sec.	8 sec.
Max. Lifting capacity (lbs/kg)	50/23	50/23
Net weight (lbs/kg)	35/16	45/20
Ampere/Watt (120VAC)	0.25/30	0.25/30
Extended travel (optional – extra charge)	Up to 24 inches	Up to 30 inches

Sheet 1 of 2
CAD drawing – NOT TO SCALE

Optional Control Specified

Project No.

Originator

Date

Customer Signature

Special Notes

Date



VUTEC CORPORATION

Pompano Beach, Florida

Phone: (800) 770-4700

Phone: (954) 545-9000

Fax: (954) 545-9011

E-mail: info@vutec.com

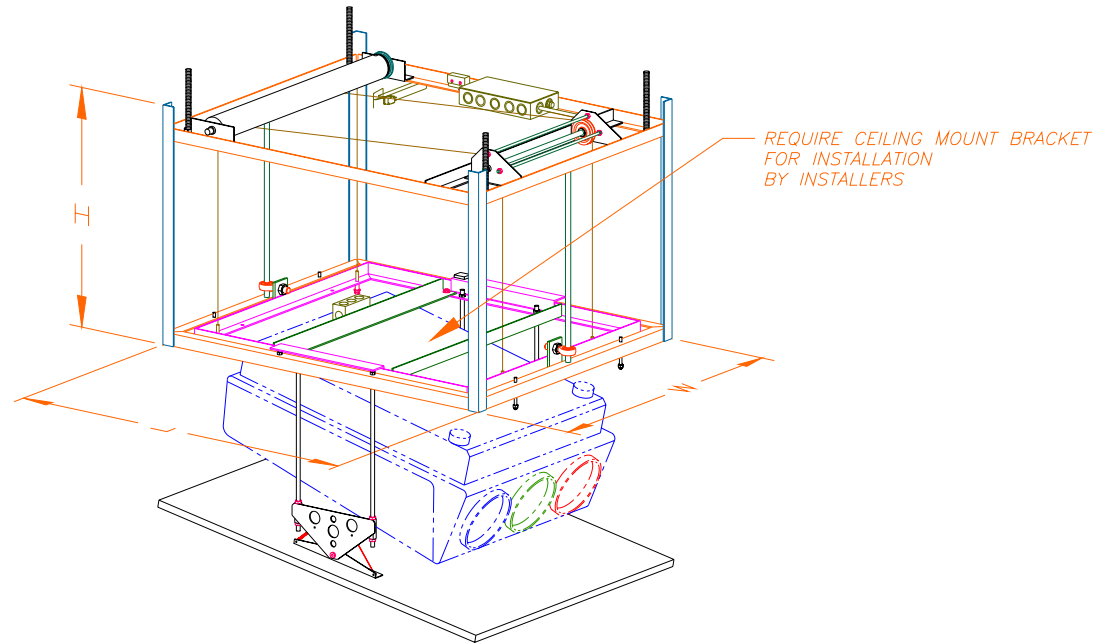
WWW.VUTEC.COM

Quote No. _____

PROJECTOR LIFT

MODELS VT14X, VT18X & VT22X

LARGE SIZE LCD, DLP AND CRT PROJECTORS



	MODEL VT14X	MODEL VT18X	MODEL VT22X
Max. Projector space (HWL)	14 1/2 x 22 1/2 x 27	18 1/2 x 25 1/2 x 35	22 1/2 x 31 1/2 x 43
Overall dimensions (HWL)	22 x 29 x 31	26 x 32 x 39	30 x 38 x 47
Min. space above finished ceiling	22	26	30
Ceiling closure panel (WL)	29 x 31	32 x 39	38 x 47
Downward travel (in/cm)	14/35,6	18/45,7	22/55,9
Travel time (approx.)	7 sec.	10 sec.	13 sec.
Max. Lifting capacity (lbs/kg)	180/82	240/109	300/136
Net weight (lbs/kg)	80/36	100/45	130/59
Ampere/Watt (120VAC)	1.5/170	1.8/210	2.1/250
Extended travel (optional - extra charge)	Up to 36 inches	Up to 42 inches	Up to 48 inches

Sheet 2 of 2
CAD drawing – NOT TO SCALE

<i>Optional Control Specified</i>		
Project No.	Originator	Date
Customer Signature	Special Notes	Date



VUTEC CORPORATION
Pompano Beach, Florida
Phone: (800) 770-4700
Phone: (954) 545-9000
Fax: (954) 545-9011
E-mail: info@vutec.com
WWW.VUTEC.COM