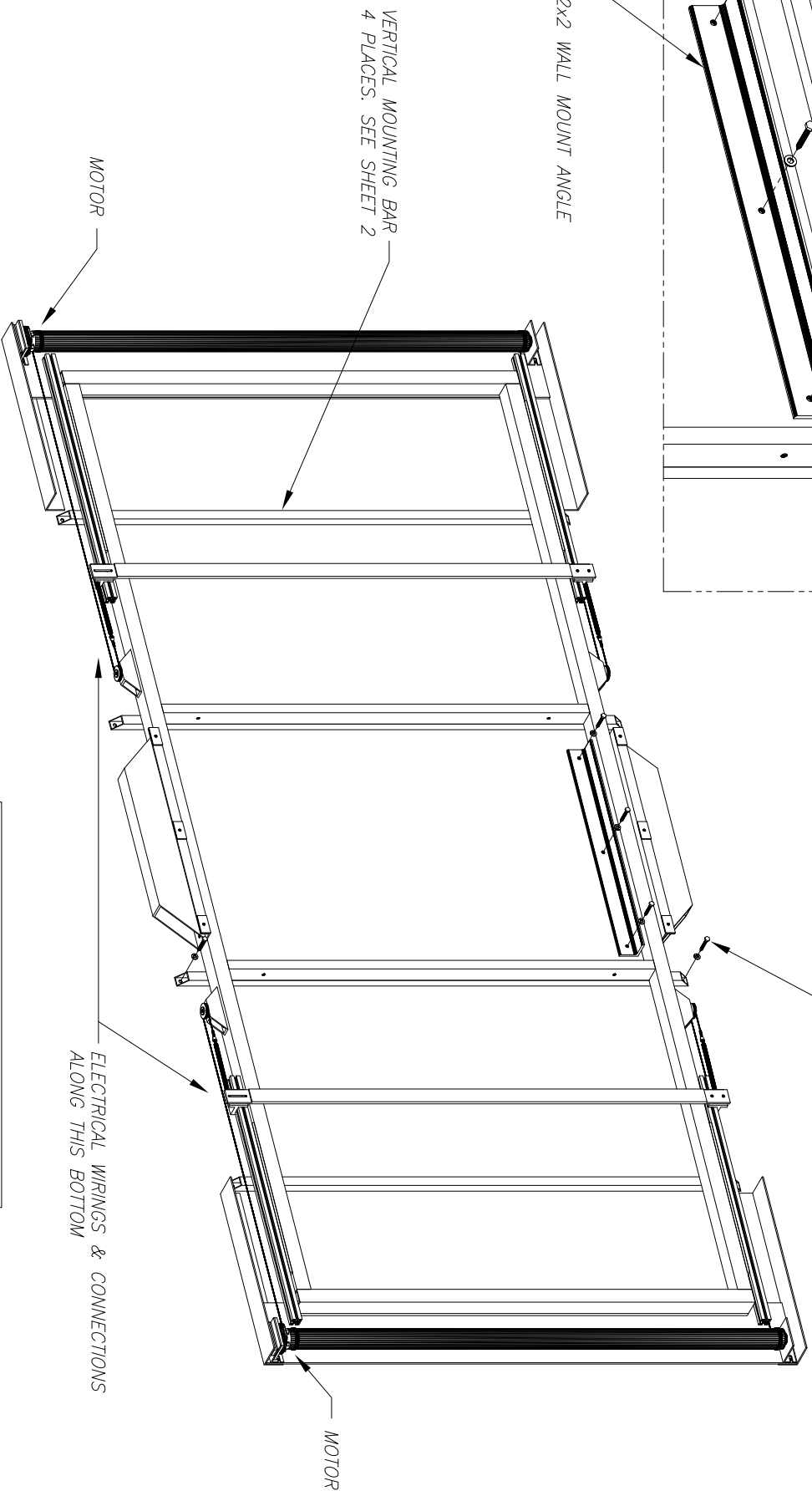


2x2 WALL MOUNT ANGLE

1/4 DIA X 2" LG.  
LAG BOLT & FLAT WASHER  
11 REQUIRED



VERTICAL MOUNTING BAR  
4 PLACES. SEE SHEET 2

MOTOR

ELECTRICAL WIRINGS & CONNECTIONS  
ALONG THIS BOTTOM

MOTOR

- STEP #1**
- 1 - DETERMINE LOCATION FOR THE SCREEN. SEE SHEET 2 DRAWING. INSTALL THE 2x2 WALL MOUNT ANGLE TO THE WALL. ADD NEW MOUNTING HOLES AS NECESSARY. BE SURE IT IS LEVEL.

USE PROPER SCREWS (BY INSTALLERS) FOR WALL APPLICATION.

- 2 - HANG THE SCREEN ASSEMBLY ONTO THE 2x2 WALL MOUNT ANGLE.

- 3 - BE SURE SCREEN IS LEVEL. INSTALL THE SCREWS TO VERTICAL MOUNTING BARS TO SECURE SCREEN TO LOCATION.

- 4 - THE SCREEN FRAME MUST REMAIN STRAIGHT TO ITSELF SO THE LOCATIONS OF THE HOLES ON THE COVERS WILL MATCH THOSE THAT ON THE FRAME. SHIMS (BY INSTALLERS) MAY BE ADDED TO MOUNTING LOCATIONS IF WALL IS NOT FLAT.

COVERS AND SCREEN ARE NOT SHOWN  
TO ILLUSTRATE MECHANICAL COMPONENTS

SHEET 1 OF 2

**VUTECH CORPORATION**

2741 N.E. 4th AVENUE, POMPANO BEACH, FL 33064

WALL MOUNT INSTALLATION

VISION XFT

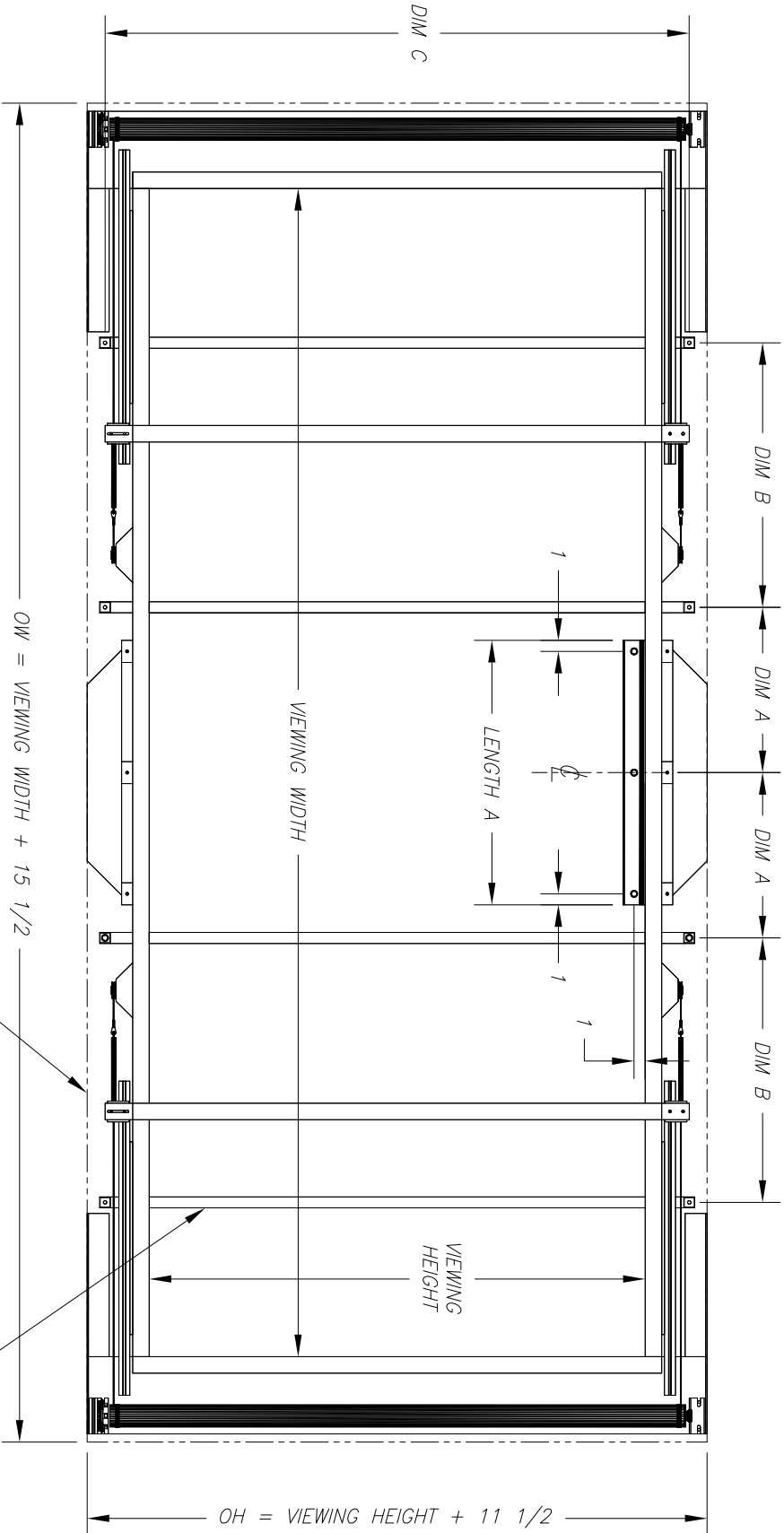
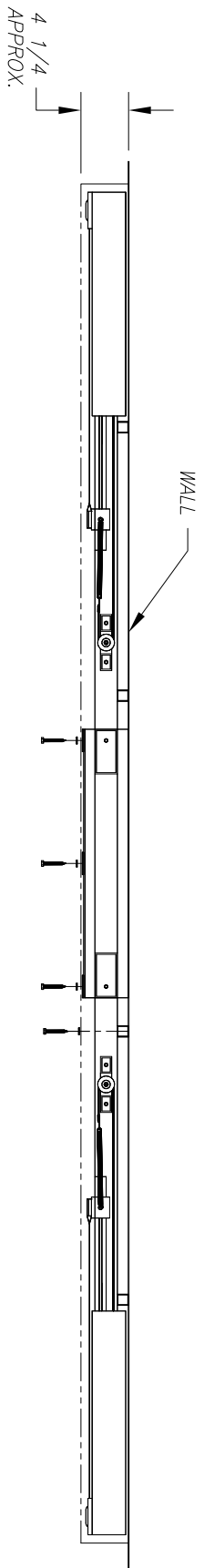
XFTB-INSTL\_WALL

SCALE: 1/16

REV  
A

DRAWN BY  
06/08/09 HN  
CHECKED BY

DRAWING NO.



VIEWING SIZE	LENGTH A	DIM A	DIM B	DIM C
45" x 106"	24"	15"	24"	53"
50" x 117.5"	30 1/2"	18 1/4"	26 1/2"	58"
54" x 127"	36"	21"	28 1/2"	62"
57.5" x 135"	41"	23 1/2"	30"	65 1/2"
60" x 141"	44"	25"	31 1/2"	68"
66" x 155"	52"	29"	34 1/2"	74"

COVER OUTLINE

VERTICAL MOUNTING BAR  
4 PLACES. SEE SHEET 1

SHEET 2 OF 2

# VUTECH CORPORATION

2741 N.E. 4th AVENUE, POMPANO BEACH, FL 33064

## WALL MOUNT INSTALLATION

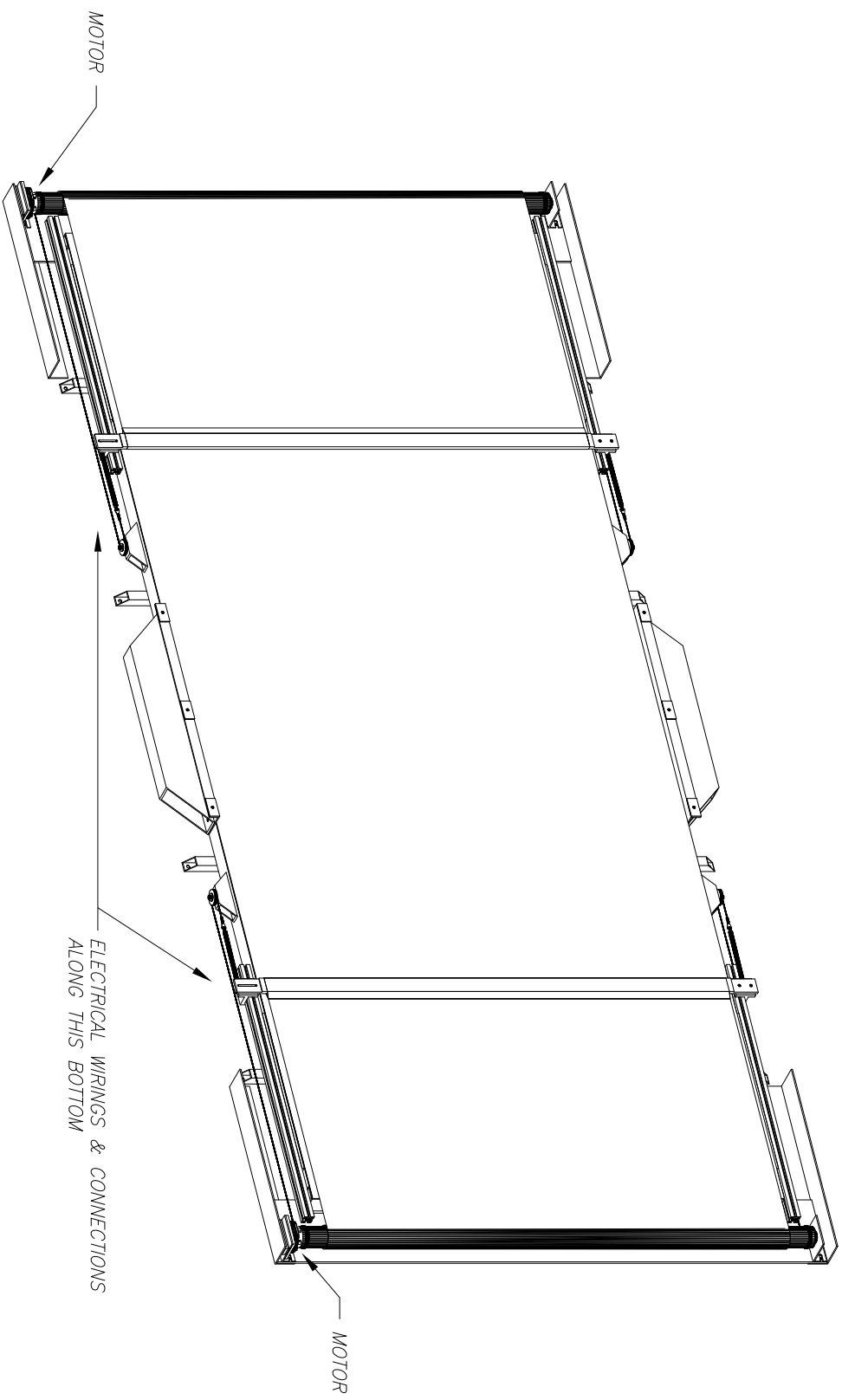
VISION XFT

DRAWN BY  
06/08/09 HN  
CHECKED BY

DRAWING NO.  
XFTB-INSTL\_WALL

SCALE: 1/16

REV  
A

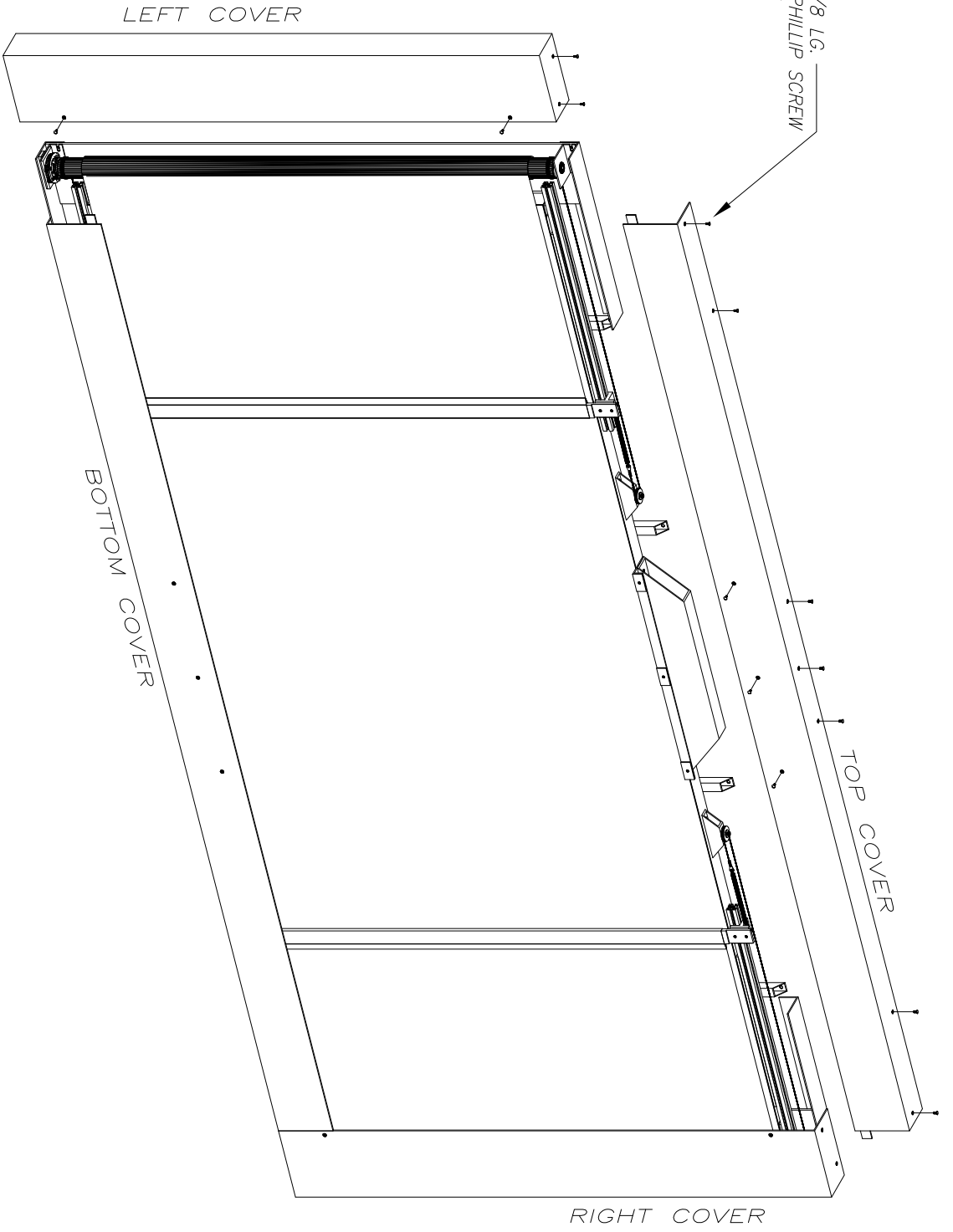


STEP #2

- 1 - REVIEW WIRING DIAGRAM AND MAKE ALL NECESSARY CONNECTIONS.
- 2 - FOR 230 VAC INSTALLATION; CONVERT U.S. STYLE PLUG TO LOCAL TYPE.
- 3 - OPERATE THE SCREEN AND SET ALL THE ASPECT RATIOS AS REQUIRED.
- 4 - TEST, CHECK AND ADJUST ALL REQUIRED OPERATIONS.

<b>UTEC CORPORATION</b>		<b>ELECTRICAL</b>	
2741 N.E. 4th AVENUE. POMPANO BEACH, FL 33064		VISION XFT	
DRAWN BY	06/08/09 HN	DESCRIPTION	DRAWING NO.
CHECKED BY			XFTB-INSTL_FINAL
			SCALE: 1/16
			REV <b>A</b>

#8-32 X 3/8 LG.  
FLAT HEAD PHILLIP SCREW  
EVERYWHERE



STEP #3

- 1 - BE SURE ALL WIRINGS ARE PROPERLY PLACED SO THE BOTTOM COVER CAN BE INSTALLED EASILY.
- 2 - INSTALL BOTTOM AND TOP COVERS. DO NOT TIGHTEN THE SCREWS YET. HINT, IF MOUNTING HOLES ARE SLIGHTLY OFF THAT MEAN THE SCREEN FRAME IS DISTORTED BY WALL MOUNTING SCREWS. MAKE ADJUSTMENTS AS REQUIRED.
- 3 - INSTALL LEFT AND RIGHT COVERS.
- 4 - BE SURE ALL COVERS FIT TOGETHER PROPERLY. TIGHTEN ALL SCREWS.
- 5 - ADD VETVET DOTS TO CONCEAL SCREW HEADS FOR A FINISH APPEARANCE.

<b>VUTECH CORPORATION</b>		DRAWING NO. <b>XFTB-INSTL_FINAL</b>
DRAWN BY 06/08/09 HN	DESCRIPTION 2741 N.E. 4th AVENUE. POMPANO BEACH, FL 33064	
<b>COVERS INSTALLATION</b>		SCALE: 1/16
CHECKED BY	VISION XFT	
		REV <b>A</b>