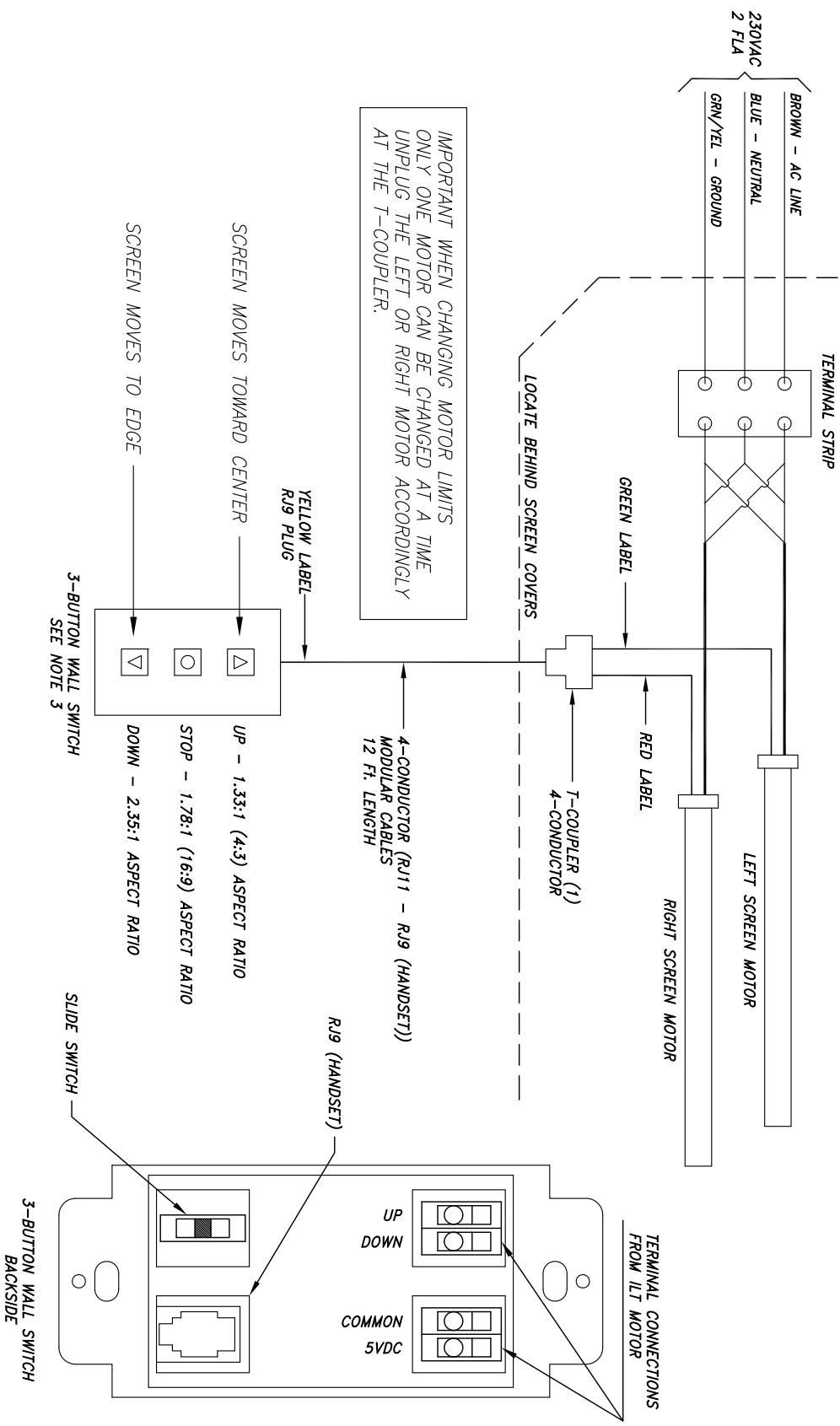


- NOTES:
- 1 - WIRINGS MUST BE INSTALLED BY QUALIFIED ELECTRICIANS AND COMPLIED WITH NATIONAL AND/OR LOCAL ELECTRICAL CODES AND REGULATIONS
 - 2 - PLACE THE IR-6 CONTROLLER IN A CONVENIENT LOCATION FOR EASY ACCESS
 - 3 - OPTIONAL WIRINGS (CABLE SUPPLIED) FOR AUTOMATION SYSTEM CONNECTIONS

VTEC CORPORATION	
DRAWN BY 04/15/09 HN	DESCRIPTION 2741 N.E. 4th AVENUE. POMPANO BEACH, FL 33064
WIRING DIAGRAM - 230 VAC	
CHECKED BY	DRAWING NO. XFTB-SCH230
VISION XFT	
SCALE: 4/5	
REV A	



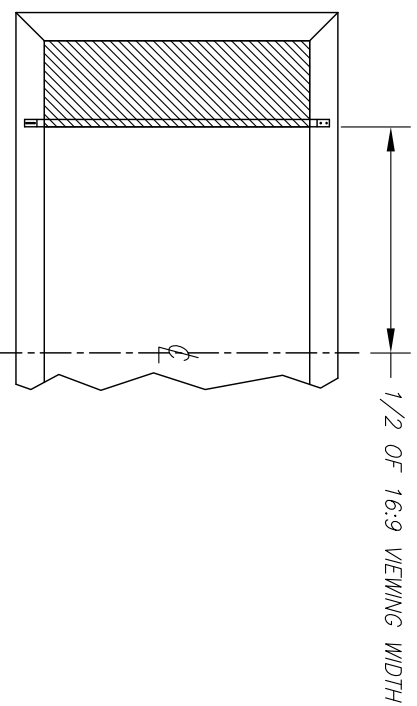
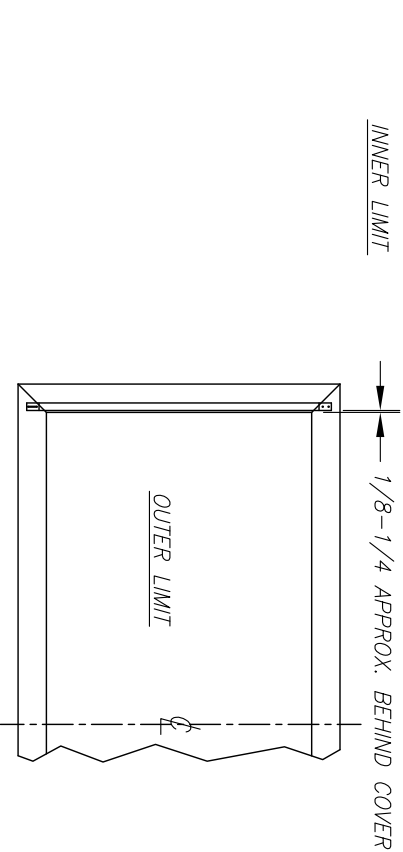
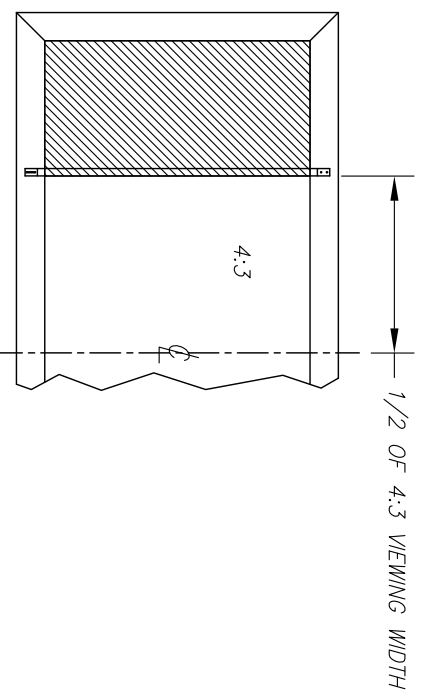
IMPORTANT WHEN CHANGING MOTOR LIMITS
ONLY ONE MOTOR CAN BE CHANGED AT A TIME
UNPLUG THE LEFT OR RIGHT MOTOR ACCORDINGLY
AT THE T-COUPLER.

<h1 style="text-align: center;">VUTECH CORPORATION</h1> <p style="text-align: center;">2741 N.E. 4th AVENUE. POMPANO BEACH, FL 33064</p>		DRAWING NO.	
		XFTB-SCH230	
DRAWN BY		DESCRIPTION	
04/15/09 HN		WIRING DIAGRAM - 230 VAC	
CHECKED BY		VISION XFT	
SCALE: 4/5		REV	
		A	

- CHANGING THE INNER LIMIT (4:3 SCREEN RATIO)
- SET THE SLIDE SWITCH TO LOWER POSITION TO CHANGE THE INNER LIMIT.
- CONTROL OF MOTOR BECOMES MOMENTARY ACTION.
- PRESSING THE UP-ARROW BUTTON MUST MOVE THE SCREEN TOWARD CENTER.
- IF THE SCREEN MOVES IN THE OPPOSITE DIRECTION; MOMENTARY PRESS THE STOP BUTTON TO CHANGE DIRECTION.
- PRESS THE UP-ARROW OR DOWN-ARROW BUTTONS TO MOVE THE SCREEN TO THE DESIRED POSITION. RELEASE THE BUTTON TO STOP THE SCREEN.
- DO NOT PRESS STOP BUTTON TO STOP THE SCREEN!
- SET THE SLIDE SWITCH TO CENTER POSITION TO RETURN TO NORMAL OPERATIONS.

- CHANGING THE OUTER LIMIT (2.35:1 SCREEN RATIO)
- SET THE SLIDE SWITCH TO UPPER POSITION TO CHANGE THE OUTER LIMIT.
- CONTROL OF MOTOR BECOMES MOMENTARY ACTION.
- PRESSING THE DOWN-ARROW BUTTON MUST MOVE THE SCREEN TO THE EDGE.
- IF THE SCREEN MOVES IN THE OPPOSITE DIRECTION; MOMENTARY PRESS THE STOP BUTTON TO CHANGE DIRECTION.
- PRESS THE UP-ARROW OR DOWN-ARROW BUTTONS TO MOVE THE SCREEN TO THE DESIRED POSITION. RELEASE THE BUTTON TO STOP THE SCREEN.
- DO NOT PRESS STOP BUTTON TO STOP THE SCREEN!
- SET THE SLIDE SWITCH TO CENTER POSITION TO RETURN TO NORMAL OPERATIONS.

- CHANGING THE INTERMEDIATE STOP (16:9 SCREEN RATIO)
- THE SLIDE SWITCH MUST BE AT CENTER POSITION FOR NORMAL OPERATIONS.
- PRESS THE UP-ARROW OR DOWN-ARROW BUTTONS TO MOVE THE SCREEN TO THE DESIRED POSITION. PRESS THE STOP BUTTON TO STOP THE SCREEN.
- PRESS AND HOLD THE STOP BUTTON FOR MINIMUM OF 5 SECONDS TO RECORD THE INTERMEDIATE POSITION.
- CHECK ALL THE DESIRED SETTINGS BY PRESSING THE BUTTONS.
- IMPORTANT FEATURE OF THE STOP BUTTON:
WHILE THE SCREEN MOVING; PRESS THE STOP BUTTON WILL CAUSE THE SCREEN TO STOP AT RANDOM.
PRESS THE STOP BUTTON WHILE THE SCREEN IS AT REST WILL CAUSE THE SCREEN TO MOVE TO ITS PROGRAMMED STOP.



SHEET 3 OF 3

VUTECH CORPORATION

2741 N.E. 4th AVENUE. POMPANO BEACH, FL 33064

DRAWN BY

04/15/09 HN

DESCRIPTION

WIRING DIAGRAM - 230 VAC
VISION XFT

DRAWING NO.

XFTB-SCH230

SCALE: 4/5

CHECKED BY

REV

A