

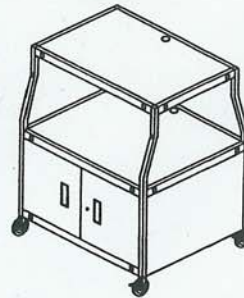
Instruction Sheet --VUTEC Wide Body TV Cart with Cabinet

Model No.: VWBCAB44E/VWBCAB48E/VWBCAB54E

Congratulations for having chosen this excellent Vutec product.

To assure your complete satisfaction, this product is warranted against defect in manufacture for two years after the purchase date. Any parts requiring replacement during the 2--year period, under normal use and service, as a result of defective work-

manship, will be replaced by Vutec or by an authorized Vutec dealer, without cost, except for transportation charges. All unit should be returned in original packing, to guarantee safe transport. Vutec is not responsible for damages in shipment.



Note: This unit is easier to assemble with two people.

Parts list

Qty.	Description	Qty.	Description
1	Top shelf with VUTEC decal	1	Right door assembly
1	Middle shelf	1	Left door assembly
1	Bottom shelf	2	5 casters with brakes
2	Legs(Labeled "O")	2	5 casters without brakes
2	Legs(Labeled "X")	1	25 power cord
2	Side panels	1	Electrical bracket
1	Rear panel	25set	Square head bolts and Serrated units (Bag A)
1	Right door assembly	25	Screw(Bag B)
1	Left door assembly	3set	Screws and hex nuts(Bag C)for power bracket

Tools required

Hex wrench (Provided)
Adjustable wrench /pliers
Rubber mallet

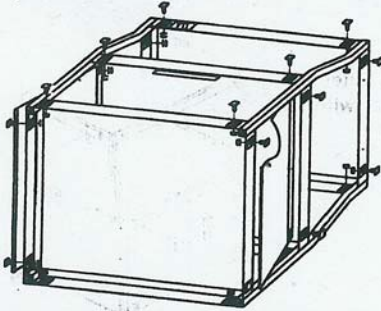
1. Lay front legs (labeled "O" and "X") on the floor with the brackets facing upward and inward as illustrated. Note: legs, when placed on the floor should bend upward, off the floor at their top end and the width of the unit should remain constant all the way to the top.

2. Slide each shelf over the brackets of the legs. The largest shelf is the bottom. The top shelf has the VUTEC decal on it and should face down during assembly.

3. Slide the two remaining legs onto the shelves as illustrated. Legs labeled "O" and "X" are on opposite corner of each other. Make sure that the brackets are inside the shelves.

4. HAND TIGHTEN the top and bottom shelf at the two corners on top with square bolts, split lock washers and nuts from (Bag A) as illustrated. Slide the back panel between the middle and bottom shelf. The bottom of the back panel needs to hook onto the bottom frame lip and the top of the panel needs to go in-between middle shelf lip and the bracket. HAND TIGHTEN the middle shelf with bolts, split lock washers and nuts as shown.

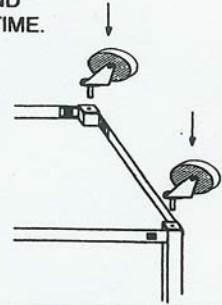
(INSTRUCTIONS CONTINUED ON REVERSE SIDE)



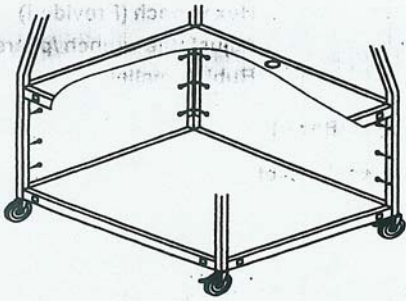
5. CAREFULLY turn the cart over. Hand tighten the top and bottom shelf. Repeat the steps as described in step 4 to install the side panels.

It is very important that the next step be performed on a level surface in order to have the unit properly aligned. Stand unit upright on a level surface. Gently rock unit back and forth to realign and level the unit. TIGHTEN ALL NUTS AND BOLTS WITH WRENCHES AT THIS TIME.

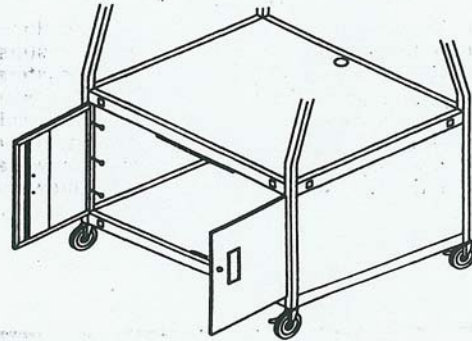
Unit should now be properly aligned and level. If unit is not level at this time, repeat the above steps before proceeding to step 6.



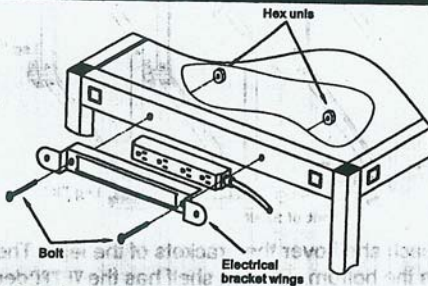
6. Lay unit on side and insert caster with brake into corner hole in the bottom of the unit. Insert the other casters into remaining holes of unit.



7. To secure the cabinet, you may use the M5X12 screws from (Bag B) to tighten the cabinet panels to the frame poles. There are three screws for each side.



8. Install the doors (right one with lock) between the middle and bottom shelves with the M5X12 screws provided in (Bag B) as shown.



Electrical bracket assembly

1. Push 4-outlet power cord into back of bracket as shown.
2. Attach electrical bracket with power to any side of top shelf with two nuts and bolts supplied from (Bag C) Tighten nuts and bolts securely. Wrap remaining cord around outside wings of the bracket.