

## INSTALLATION INSTRUCTIONS

# Surface Mount Plasma

### Installation

The Plasma must be straight and not tilted for the Art Screen to work properly. Tilting of the Plasma is not recommended.

Referring to Figure 2, use a triangle to determine the Plasma OD onto the wall. Verify the outline accuracy for a problem free installation.

Determine the depth of the Plasma – from the wall to the front bezel surface.

Determine the mounting locations for the wall mount brackets (Figures 1 & 2). Use proper wall anchors (not supplied) for drywall installation.

Drill pilot holes for #8 screws or install wall anchors as required.

Install the Art Screen frame (Figure 3) around the Plasma.

Adjust the Art Screen frame so that it is center around the Plasma. Tighten the screws.

Adjust the depth of the Art Screen frame so that it is 1/2 to 5/8 (Figure 4) inch more than the depth of the Plasma. This clearance is required for the Art Screen to travel.

Route the motor wires to the backside for connection later.

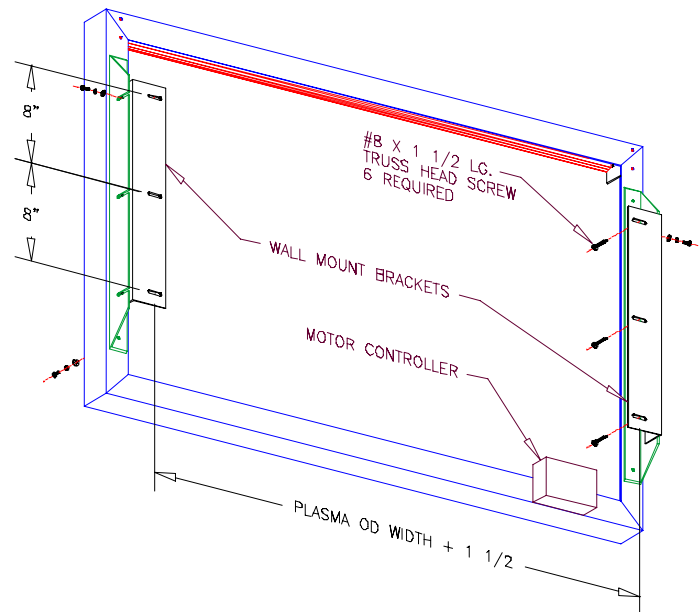


Figure 1  
Rear View of Frame

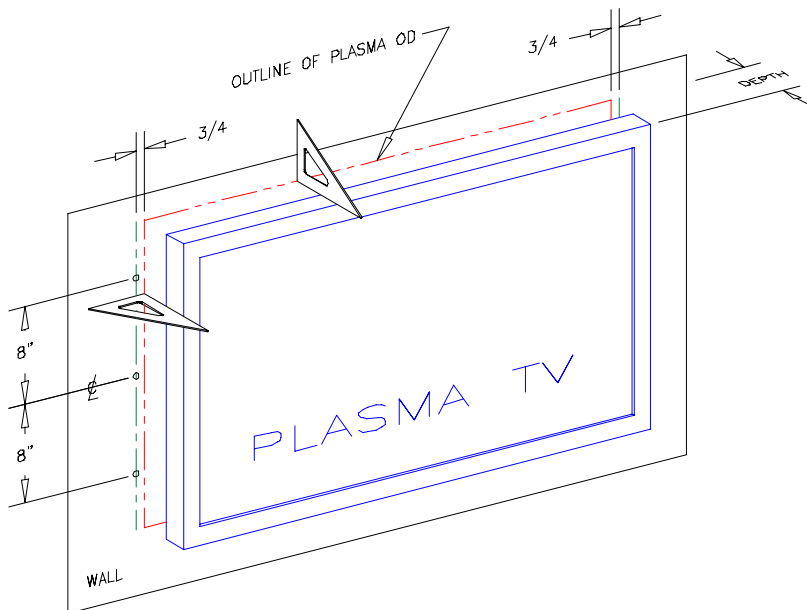


Figure 2  
Outlining the Plasma OD onto Wall

### Wood Frame Installation

A typical wood frame including the liner is approximately 5 inches wide to properly cover the assembly. The wood overhangs the main shell approximately 3/4 inch when attached.

Two corner woods are attached to the backside of the wood frame to take-up the weight.

Two spring-loaded catches and a magnetic catch will hold the wood frame to the main shell. Simply snap the wood frame to the shell when ready.

Referring to Figure 6, two side panels are provided for covering the sides of the Art Screen frame. The panels apply to the frame by Velcro strips supplied.

The Velcro strips are cut to length. Apply the black part (Hook) of the Velcro to the sides of the frame.

Apply the white part (Loop) of the Velcro to each of the panels (Figure 6).

Apply the side panels to the Art Screen frame for a complete installation. The top and bottom of the Art Screen frame are left open for proper ventilation for the plasma.

Optionally, custom-made side panels may be installed as desired.



**VUTEC CORPORATION**

2741 N.E. 4<sup>th</sup> Avenue

Pompano Beach, FL 33064

TEL: (954) 545 9000 - FAX: (954) 545 9011

E-MAIL: info@vutec.com

## Electrical Connections

The Art Screen comes with IR remote control for operations. It is ready for use; no wiring connections are required.

Place the IR sensor so that it can be seen by the transmitter.

Plug the power cord to a 120VAC outlet.

The IR remote control has manual inputs for Home Automation systems, i.e. AMX, Crestron, etc. See IR remote control manual (included) for detail information.

The spring-loaded catch (Figure 3b) with SPDT switch may be used for security purpose; its contacts may be connected to an audible alarm system or monitoring system. The breach of security will be activated when the wood frame is removed.

The states of the contacts are shown when the Keeper is not engaged with the Catch.

Contact Rating: 6Amp, 250VAC or 3Amp, 30VDC.

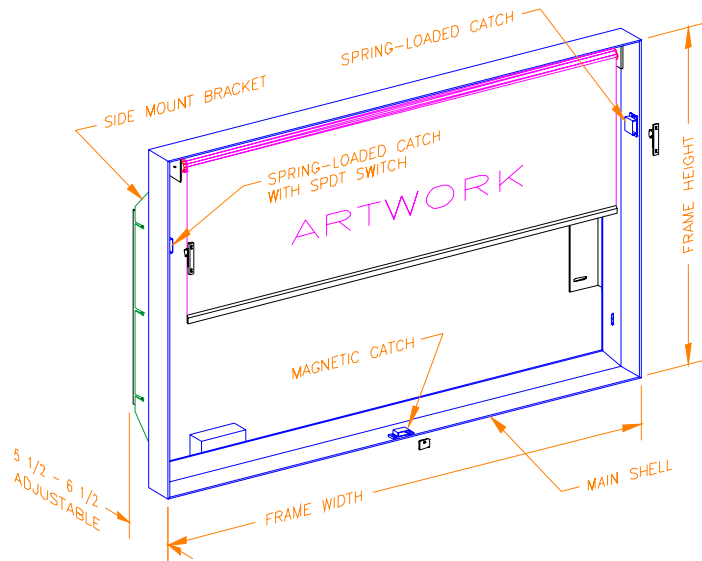


Figure 3a  
Art Screen Frame

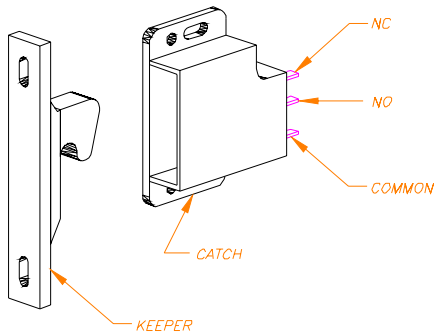


Figure 3b  
Spring-loaded catch with SPDT switch

## Open and Close Limits Setting

The Open limit switch has been properly set for correct stop position. It should not be adjusted unless a change in the motor or the motor had been removed for service.

Note each full turn of the limit switch (360 degrees) causes the screen to travel approximately 1/2 inch.

1. **To lower the closed limit of the Art Screen.** Send the Art Screen down to it closed position. Turn the Close limit socket **counter-clockwise** (Figure 5); the Art Screen will advance downward as each full turn is made. Stop at the desired position.
2. **To raise the closed limit of the Art Screen.** Send the Art Screen down to it closed position. Determine the number of turns to stop the screen above the desired close limit. Turn the Close limit socket **clockwise** to raise the limit. The motor will not move for this direction.

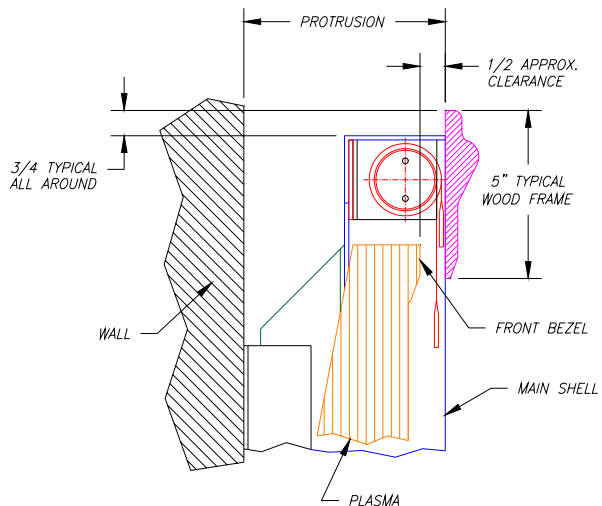


Figure 4  
Side View



**VUTEC CORPORATION**

2741 N.E. 4<sup>th</sup> Avenue

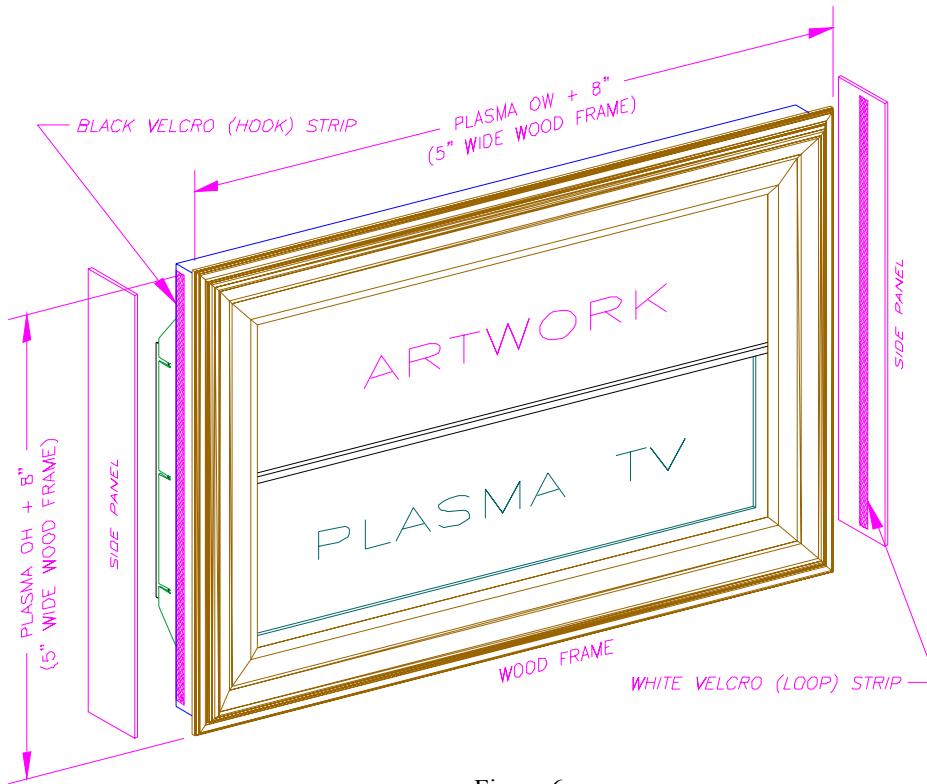
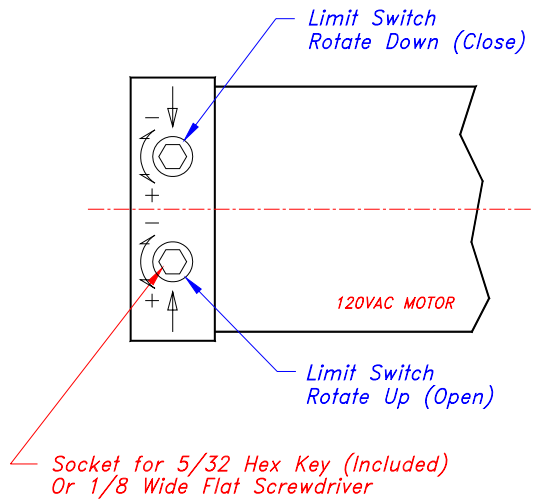
Pompano Beach, FL 33064

TEL: (954) 545 9000 - FAX: (954) 545 9011

E-MAIL: info@vutec.com

3. Send the screen up halfway then stop. Send the screen down to its closed limit. The screen must stop above the desired position. If it is not, repeat step 2
4. When the Art Screen stopped above the desired closed limit; do Step 1 to set the desired closed limit.
5. Check and adjust the closed and open limits as necessary.

**Figure 5**  
Motor Limit Switches



**Figure 6**  
Complete Art Screen



**VUTEC CORPORATION**  
 2741 N.E. 4<sup>th</sup> Avenue  
 Pompano Beach, FL 33064  
 TEL: (954) 545 9000 - FAX: (954) 545 9011  
 E-MAIL: info@vutec.com

**Accessories Included**

<b><u>Description</u></b>	<b><u>QTY.</u></b>
Main Shell including Artwork and Motor	1
Side Mount Bracket	2
Wall Mount Bracket	2
Wood Frame (Complete)	1
Side Panel	2
Velcro Strips	2
IR Receiver in Box	1
IR Sensor (6 Feet Long)	1
IR Transmitter	1
#8 x 1 1/2 Long, Truss Head Phillip Screw	6
#10-32 x 1/2 Long, Pan Head Phillip Screw	12
#10 Flat Washer	12
#10 Helical Washer	12
Limit Switch Setting Tool	1



**VUTEC CORPORATION**

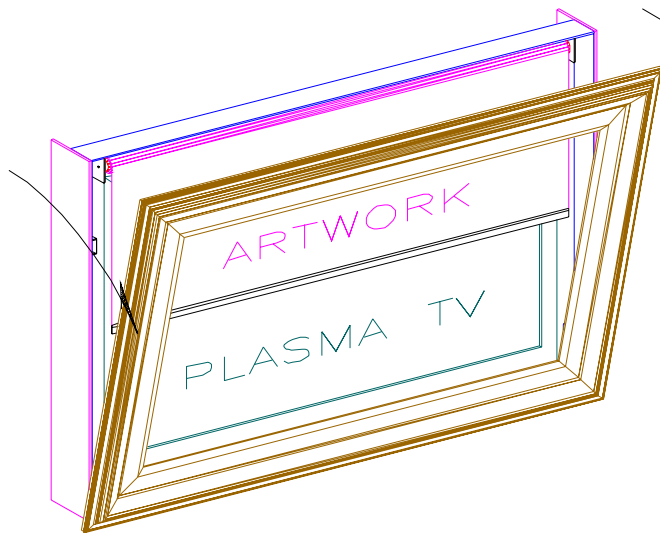
2741 N.E. 4<sup>th</sup> Avenue

**Pompano Beach, FL 33064**

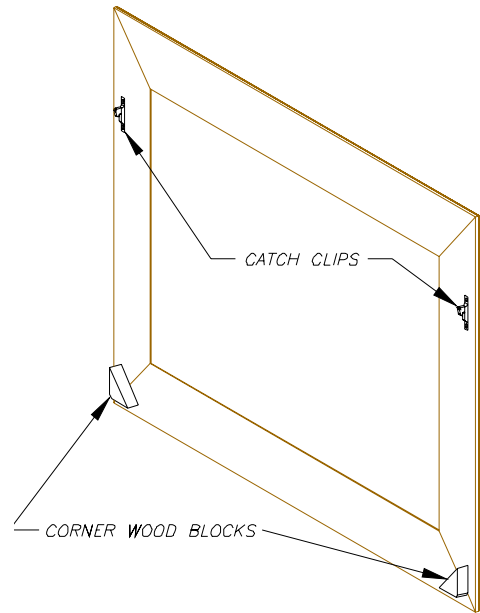
TEL: (954) 545 9000 - FAX: (954) 545 9011

E-MAIL: [info@vutec.com](mailto:info@vutec.com)

## WOOD FRAME INSTALLATION & REMOVAL



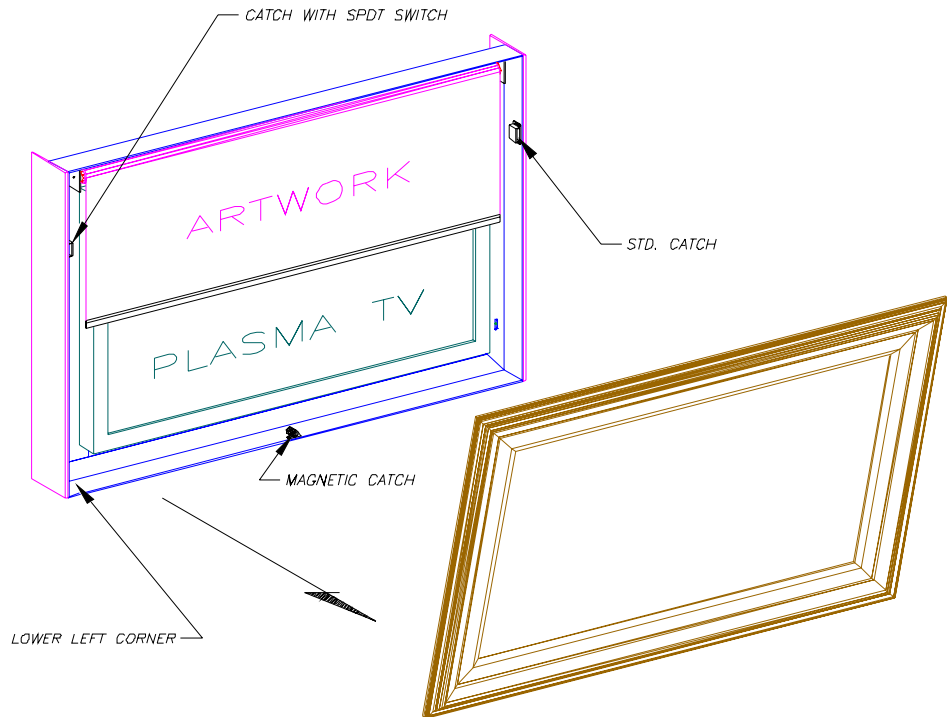
**Figure A**  
Pull open the wood frame from the top



**Figure B**  
Backside of wood frame

**Note: Do not pull the wood frame straight out. The catches are designed to be separated in the peeling manner as shown in Figure A.**

The Corner Wood Blocks are designed to carry the weight of the wood frame when installed. Carefully places them in the lower left and right corners of the artscreen frame before snapping the wood frame in place.



**Figure C**  
Wood frame shown removed from Artscreen



**VUTEC CORPORATION**  
2741 N.E. 4<sup>th</sup> Avenue  
Pompano Beach, FL 33064  
TEL: (954) 545 9000 - FAX: (954) 545 9011  
E-MAIL: [info@vutec.com](mailto:info@vutec.com)

## ART ROLLER INSTALLATION

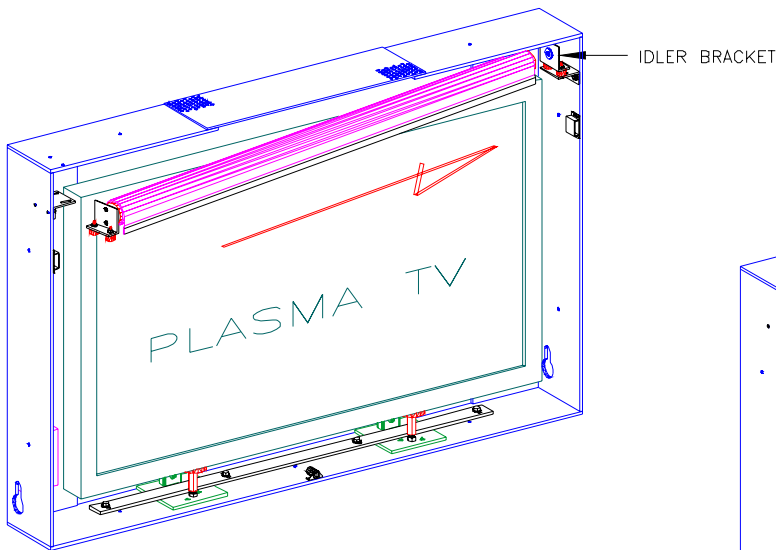
Vutec has made a significant improvement to control and reduce the vibration noise level associated with the art roller motor.

The art roller motor is now shipped uninstalled to protect the four vibration dampers imparted in the design.

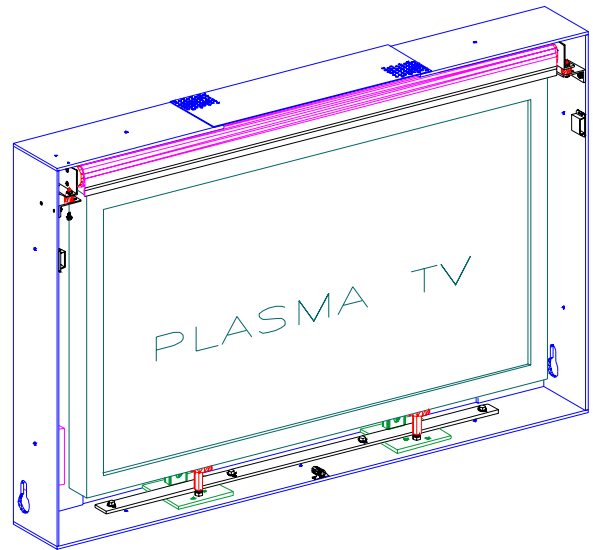
The following steps show how to install the art roller to the art screen unit.

*Note: Installing the art roller motor must be the last thing to do! Therefore, the metal frame, the Plasma TV and its mounting location must have been installed, adjusted and checked to satisfaction before proceeding with the art roller installation.*

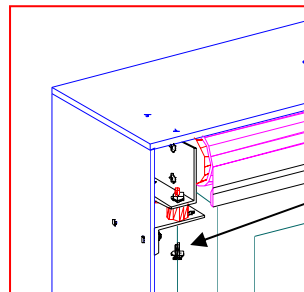
- Step 1** Carefully remove the plastic wrapping. Locate two #8-32 machine screws and flat washers for used. There should be a layer of paper protecting the art roller. Do not remove the paper until the art roller has been installed and secured properly. The paper keeps the art print clean for final revelation.
- Step 2** Referring to Figure D, insert the art roller into the idler bracket at angle as shown. Rotates and guides the art roller into place such that it sits on the motor bracket as shown in Figure E.
- Step 3** Use #8-32 by 3/8 inch long machine screws to secure the art roller in place (Figure F). Do not over-tighten the screws.
- Step 4** No placement adjustments are necessary because the location of the idler bracket has been determined and it remained on the metal frame for this purpose.
- Step 5** Connect the motor cable to the IR control box.
- Step 6** Remove the masking tapes and the protective paper. The art roller is ready for operation!



**Figure D**  
Art roller insertion



**Figure E**  
Art roller in place



**Figure F**  
Screw attachment

**Note: Pictures in this page shown recessed mount frame. However, the installation of the art screen roller is the same.**



**VUTEC CORPORATION**  
2741 N.E. 4<sup>th</sup> Avenue  
Pompano Beach, FL 33064  
TEL: (954) 545 9000 - FAX: (954) 545 9011  
E-MAIL: info@vutec.com