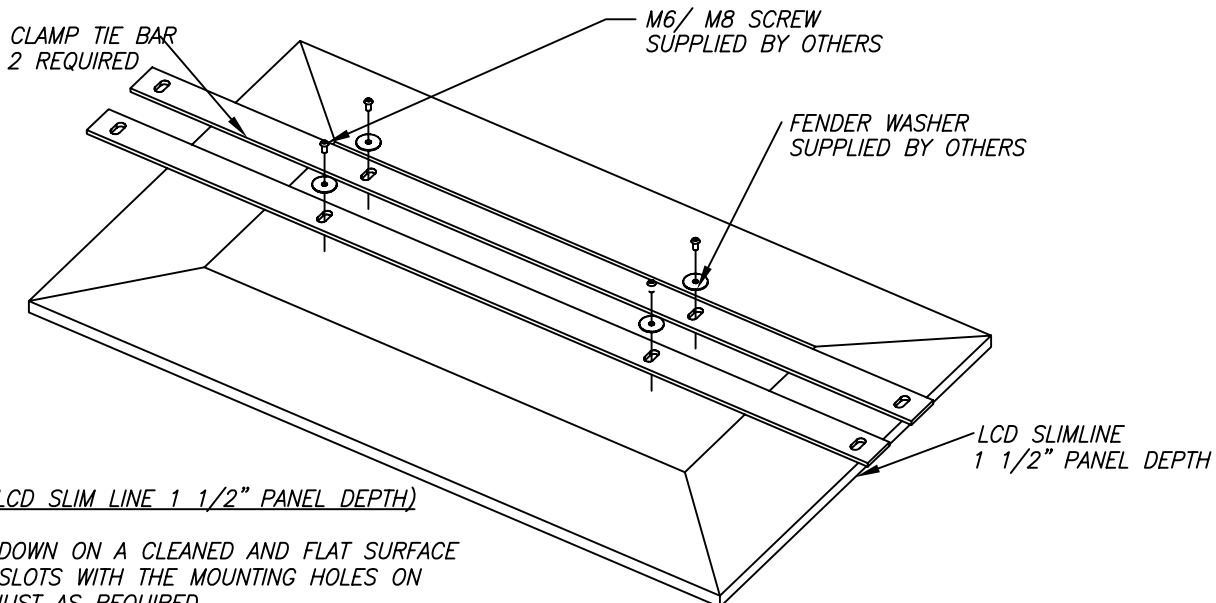


RECESSED MOUNT SLIMLINE ARTSCREEN INSTALLATION INSTRUCTIONS

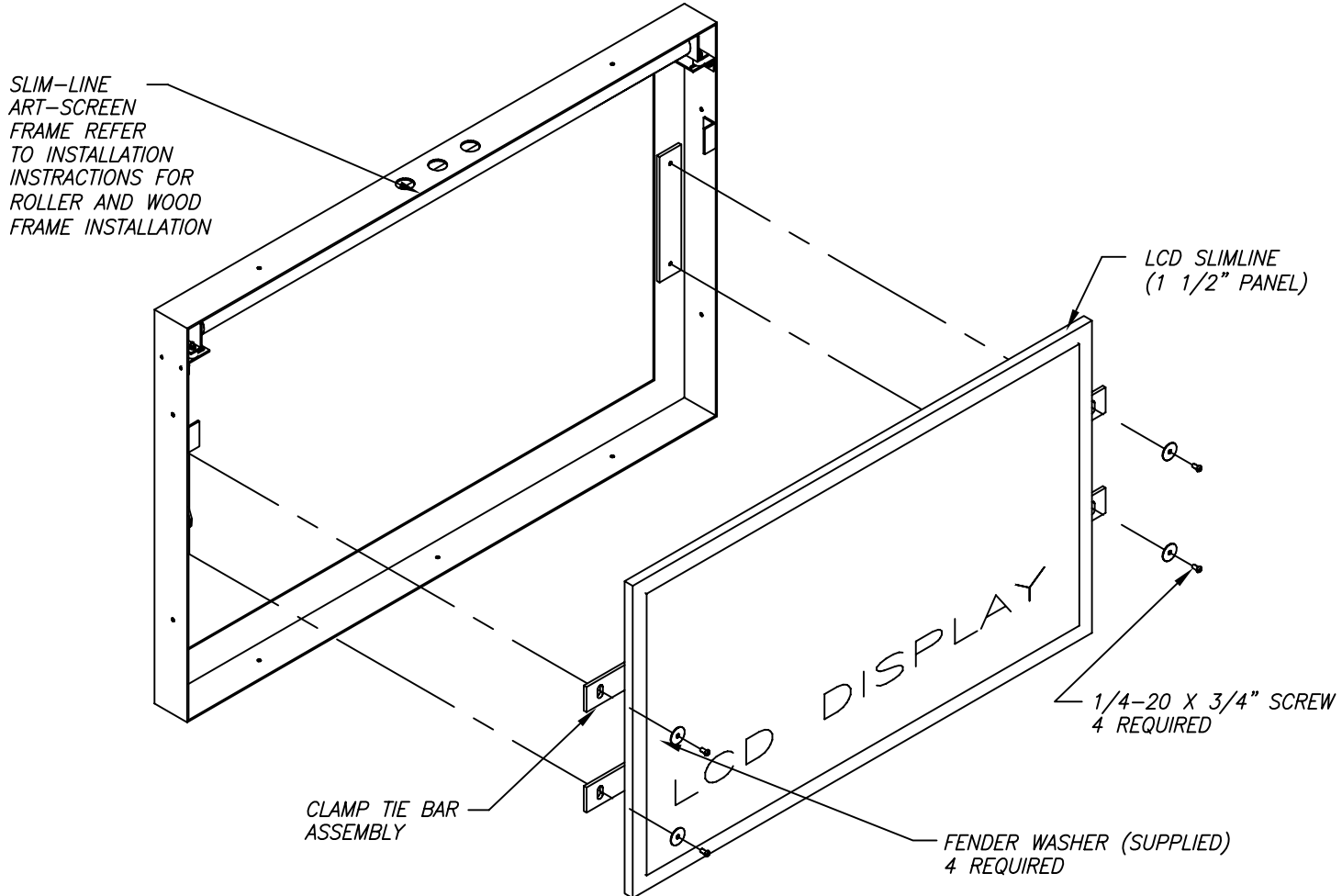


ASSEMBLY INSTRUCTION (LCD SLIM LINE 1 1/2" PANEL DEPTH)

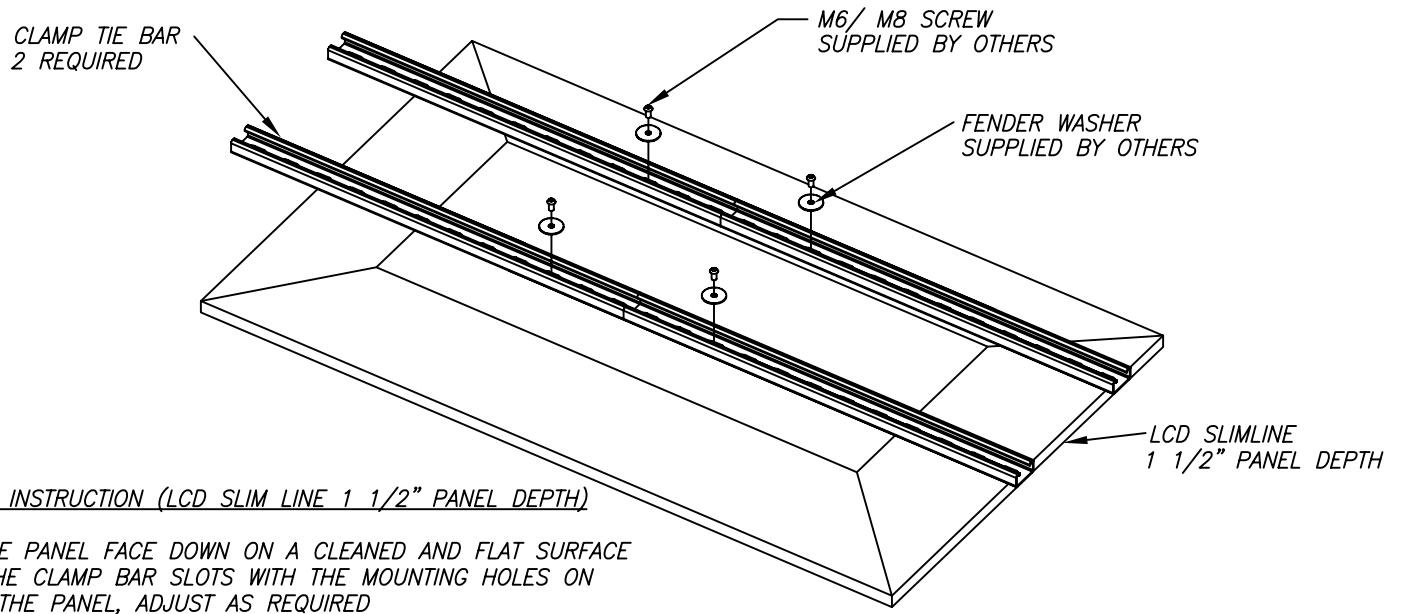
- PLACE THE PANEL FACE DOWN ON A CLEANED AND FLAT SURFACE
- LINEUP THE CLAMP BAR SLOTS WITH THE MOUNTING HOLES ON REAR OF THE PANEL, ADJUST AS REQUIRED
- FASTEN THE THE CLAMP TIE BAR (HARDWARE NOT SUPPLIED) DO NOT OVER TIGHTEN
- ROTATE THE ASSEMBLY TO IT'S UPRIGHT POSITION AND CHECK FOR PROPER ALIGNMENT MAKE ADJUSTMENTS AS NECESSARY.

ATTACHING THE LCD PANEL TO THE ART SCREEN FRAME

- REPLACE EXISTING IEC POWER CORD WITH THE (VUTEC SUPPLIED) NEMA 5-15 ROTATING UNIVERSAL IEC POWER CORD PRIOR TO PROCEEDING WITH THE LCD DISPLAY INSTALLATION.
- THE LCD DISPLAY SHOULD BE EQUALLY SPACED WITHIN THE INTERNAL FRAME SPACE
- LINEUP THE TIE CLAMP MOUNTING SLOTS WITH THE APPROPRIATE THREADED HOLE AS ILLUSTRATED BELOW AND FASTED WITH USING SUPPLIED HARDWARE.



RECESSED MOUNT SLIMLINE ARTSCREEN (UNISTRUT) INSTALLATION INSTRUCTIONS



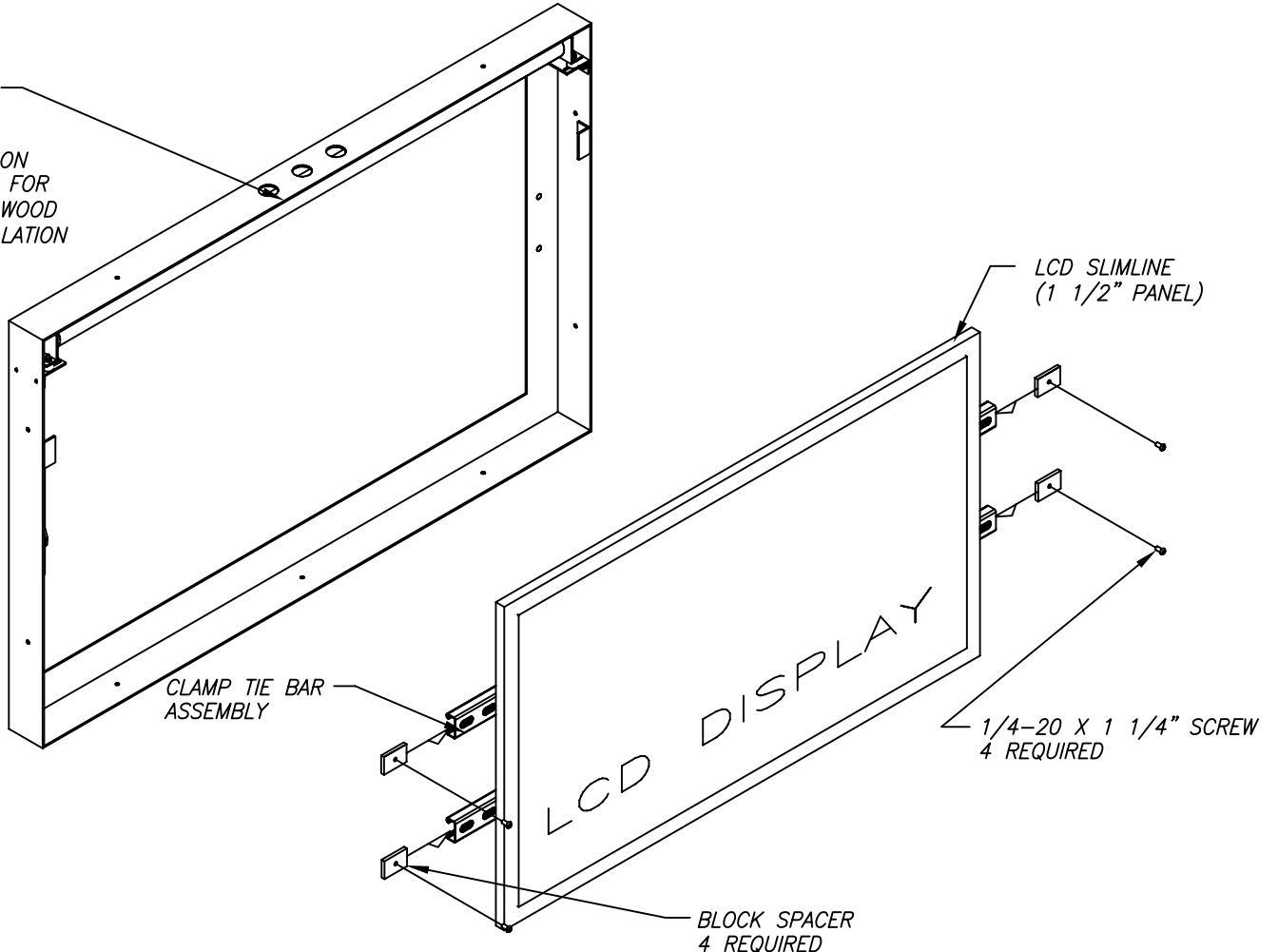
ASSEMBLY INSTRUCTION (LCD SLIM LINE 1 1/2" PANEL DEPTH)

- PLACE THE PANEL FACE DOWN ON A CLEANED AND FLAT SURFACE
- LINEUP THE CLAMP BAR SLOTS WITH THE MOUNTING HOLES ON REAR OF THE PANEL, ADJUST AS REQUIRED
- FASTEN THE THE CLAMP TIE BAR (HARDWARE NOT SUPPLIED) DO NOT OVER TIGHTEN
- ROTATE THE ASSEMBLY TO IT'S UPRIGHT POSITION AND CHECK FOR PROPER ALIGNMENT MAKE ADJUSTMENTS AS NECESSARY.

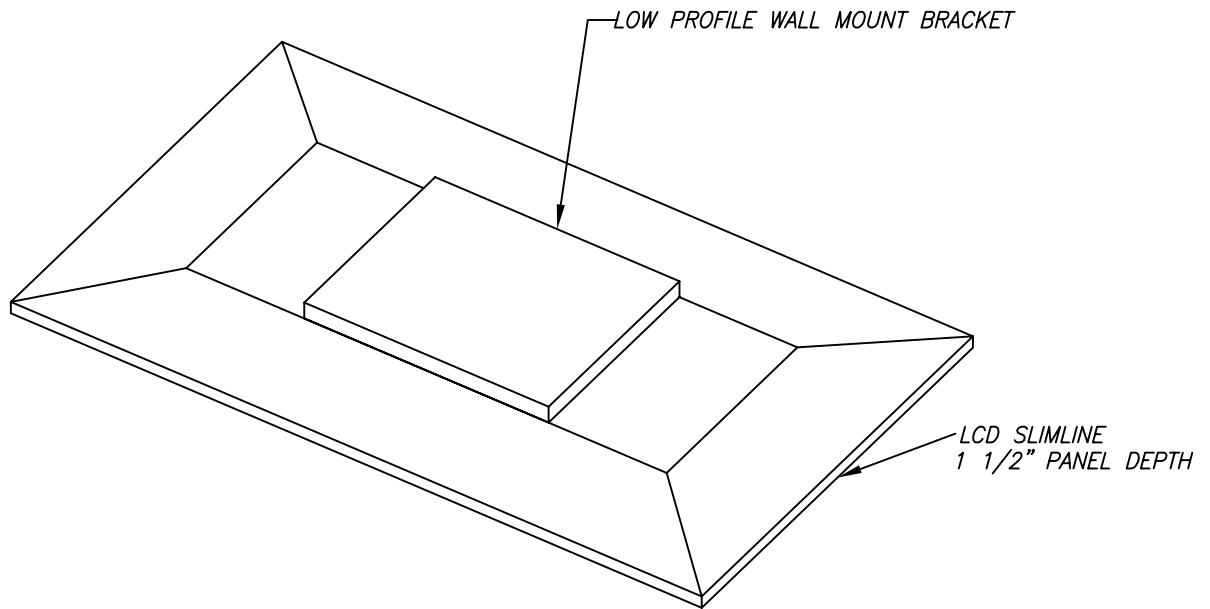
ATTACHING THE LCD PANEL TO THE ART SCREEN FRAME

- REPLACE EXISTING IEC POWER CORD WITH THE (VUTEC SUPPLIED) NEMA 5-15 ROTATING UNIVERSAL IEC POWER CORD PRIOR TO PROCEEDING WITH THE LCD DISPLAY INSTALLATION.
- THE LCD DISPLAY SHOULD BE EQUALLY SPACED WITHIN THE INTERNAL FRAME SPACE
- LINEUP THE TIE CLAMP MOUNTING SLOTS WITH THE APPROPRIATE THREADED HOLE AS ILLUSTRATED BELOW AND FASTED WITH USING SUPPLIED HARDWARE.

SLIM-LINE ART-SCREEN FRAME REFER TO INSTALLATION INSTRUCTIONS FOR ROLLER AND WOOD FRAME INSTALLATION



*SURFACE MOUNT SLIMLINE ARTSCREEN
INSTALLATION INSTRUCTIONS*



ASSEMBLY INSTRUCTION (LCD SLIM LINE 1 1/2" PANEL DEPTH)

- A LOW PROFILE WALL MOUNT BRACKET MUST BE USED FOR THIS INSTALLATION APPLICATION.
- REPLACE EXISTING IEC POWER CORD WITH THE (VUTEC SUPPLIED) NEMA 5-15 ROTATING UNIVERSAL IEC POWER CORD PRIOR TO PROCEEDING WITH THE LCD DISPLAY INSTALLATION.
- THE LCD DISPLAY SHOULD BE EQUALLY SPACED WITHIN THE INTERNAL FRAME SPACE
- PROPER WALL ANCHORS (NOT SUPPLIED) MUST BE USED TO FASTEN THE ARTSCREEN FRAME TO THE WALL AND INSURE PROPER ALIGN AS ILLUSTRATED BELOW.

