



## The Award-Winning High-Definition Wall Screen

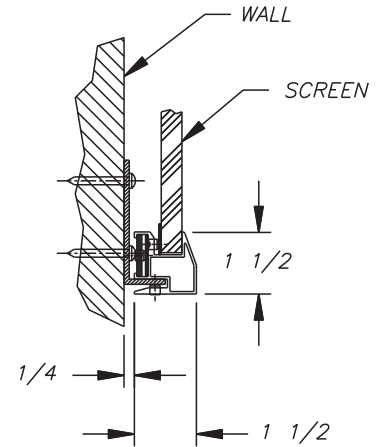
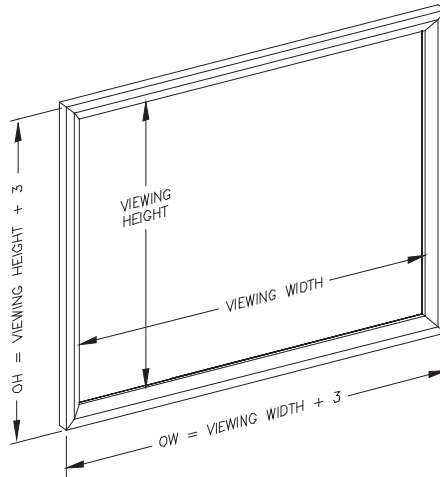
**SilverStar™** is Vutec's patented\* award-winning front projection screen with a gain of 6.0. This screen delivers the ultimate in picture quality, providing high brightness, vivid colors, high contrast and a 180 degree viewing area, putting it in a class by itself as a revolutionary high-definition screen.

**SilverStar's** superior performance begins with its innovative, patented technology—a silver-based material combined with multiple optical layers to provide the 6.0 gain. This state-of-the-art technology increases color saturation while expanding contrast in controlled or uncontrolled lighting environments.

**SilverStar** is custom made to order and can be multiplexed for large theaters. With unsurpassed versatility, it is the screen of choice for home theater systems, retail displays, command and control (NOC), worship and educational venues.



### TECHNICAL



### FEATURES

- High-Definition
- High Gain (6.0)
- High Contrast
- Light control is not critical
- Wide viewing area
- Outstanding color reproduction
- Extruded 1 1/2" black velvet finished frame
- Panels can be multiplexed for large presentations
- Screen is fully assembled and shipped in wood crate
- Custom sizes and formats available
- Available in 16:10 and 2.40:1 formats
- Optional tubular stand legs

Diagonal	Viewing Area (nominal)	O.D.	Shipping (nominal)
----------	------------------------	------	--------------------

#### 1:1 A/V Format

n/a	30" x 30"	33" x 33"	57 lbs.
n/a	40" x 40"	43" x 43"	76 lbs.
n/a	48" x 48"	51" x 51"	97 lbs.
n/a	59" x 59"	62" x 62"	117 lbs.

#### 4:3 Video Format

72"	43.25" x 57.5"	46.25" x 60.5"	103 lbs.
78"	46.75" x 62.25"	49.75" x 65.25"	110 lbs.
84"	50.5" x 67.25"	53.5" x 70.25"	120 lbs.
100"	59" x 78.5"	62" x 81.5"	148 lbs.

#### 16:9 HDTV Format

92"	45" x 80"	48" x 83"	122 lbs.
103"	50.5" x 89.75"	53.5" x 92.75"	151 lbs.
110"	54" x 96"	57" x 99"	165 lbs.
123"	59" x 105"	62" x 108"	186 lbs.

#### 2.35:1 Widescreen Format

115"	45" x 106"	48" x 109"	180 lbs.
129"	50.5" x 118.75"	53.5" x 121.75"	210 lbs.
138"	54" x 127"	57" x 130"	240 lbs.
153"	59" x 138.5"	62" x 141.5"	260 lbs.

Custom sizes are available.  
\* U.S. Patent No. 7,057,812



The Projection Screen Technology Leader



P. 800.770.4700 / 954.545.9000  
F. 800.548.5885 / 954.545.9011  
www.vutec.com