

# LECTRIC IV

## Flush Ceiling Mount Screen with Service & Trap Door



The **Lectric IV** is a ceiling flush mount motorized screen; suitable for air handling spaces and designed for use with flexible tab-tensioned fabrics. Its design accommodates additional leader lengths and includes a built-in trim kit and an internal sliding bracket mounting system.

The **Lectric IV** is the ideal choice for installation up to 180" diagonal. **Lectric IV** also includes a pre-construction option that allows the housing to be installed prior to the fabric and motor assembly. This provides for safety and security for new construction or renovation applications.

### FEATURES

- Extruded plenum rated aluminum housing with white or black powder coated finish
- Pre-construction housing available
- Large diameter rigid ribbed aluminum roller featuring Vutec's FRS™ (Fabric Relief Step)
- Standard 12" black leader (custom lengths available)
- Interfaces with low voltage relays, IR, RF and RS-232 remote controls
- Service door and trap door standard
- Custom sizes available
- Available in 16:10 and 2.40:1 formats

### TECHNICAL

**Diagonal**      **Viewing Area (nominal)**      **Housing Width**      **Shipping (nominal)**

#### 4:3 Video Format

72"	43.25" x 57.5"	80"	132 lbs.
78"	46.75" x 62.25"	84.75"	142 lbs.
84"	50.5" x 67.25"	89.75"	149 lbs.
100"	60" x 80"	102.5"	165 lbs.
120"	72" x 96"	118.5"	215 lbs. (s)
144"	86.25" x 115.25"	137.75"	230 lbs. (s)
150"	90" x 120"	142.5"	250 lbs. (s)
160"	96" x 128"	150.5"	255 lbs. (s)
180"	108" x 144"	166.5"	270 lbs. (s)

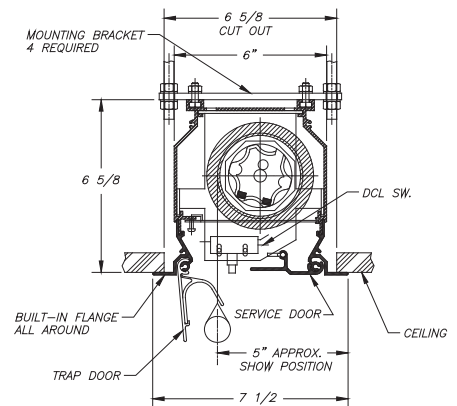
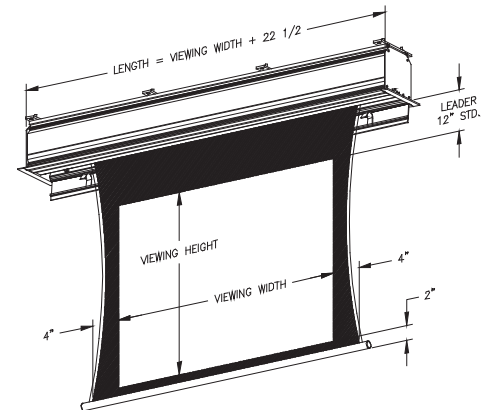
#### 16:9 HDTV Format

92"	45" x 80"	102.5"	115 lbs.
103"	50.5" x 89.75"	112.25"	135 lbs. (s)
110"	54" x 96"	118.5"	140 lbs. (s)
123"	60" x 107"	129.5"	155 lbs. (s)
133"	65" x 116"	138.5"	170 lbs. (s)
147"	72" x 128"	150.5"	190 lbs. (s)

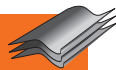
#### 2.35:1 Widescreen Format

115"	45" x 106"	128.5"	155 lbs. (s)
129"	50.5" x 118.75"	141.25"	250 lbs. (s)
138"	54" x 127"	149.5"	255 lbs. (s)
153"	60" x 141"	163.5"	270 lbs. (s)

Custom sizes and additional leader are available.  
(s) item is shipped on a skid.



### SURFACES



- BriteWhite
- PearlBrite
- Rear-Vu
- BriteWhite Opaque
- GreyDove



The Projection Screen Technology Leader



P. 800.770.4700 / 954.545.9000  
F. 800.548.5885 / 954.545.9011  
www.vutec.com