

LECTRIC IV-C MDF

Flush Ceiling Mount Tab-Tensioned Screen for Large Venues



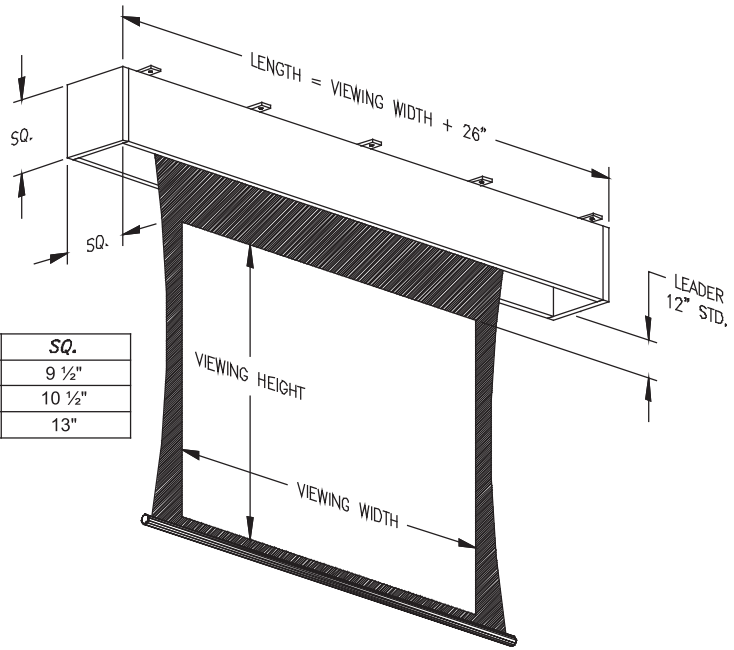
The **Lectric IV-C MDF** has been designed for large in-ceiling projection applications.

The **Lectric IV-C MDF** features an all MDF housing and is available in sizes up to 320" D (4:3).

Designed for use with flexible tab-tensioned screen surfaces including BriteWhite, PearlBrite, Rear-Vu and GreyDove.

Lectric IV-C MDF housing is *plenum rated* and interfaces with low voltage relays, IR, RF and RS-232 remote controls.

TECHNICAL



ROLLER	SQ.
5"	9 1/2"
6"	10 1/2"
8"	13"

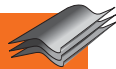
FEATURES

- Plenum rated heavy duty MDF housing
- Large diameter rigid aluminum roller
- Standard 12" black leader
- Interfaces with low voltage relays, IR, RF and RS-232 remote controls
- Custom sizes and formats available
- Available in 16:10 and 2.40:1 formats

Optional

- Service door
- White or black aluminum ceiling trim kit
- White or black mica finish on service door and trim

SURFACES



- BriteWhite
- PearlBrite
- Rear-Vu
- GreyDove

Diagonal	Viewing Area (nominal)	Roller	Housing Width	Shipping (nominal)
----------	------------------------	--------	---------------	--------------------

4:3 Video Format (MDF Housing)

200"	120" x 160"	5"	186"	490 lbs.
⁽¹⁾ 210"	126" x 168"	5"	194"	510 lbs.
⁽¹⁾ 220"	132" x 176"	5"	202"	533 lbs.
⁽¹⁾ 240"	144" x 192"	6"	218"	665 lbs.

16:9 HDTV Format (MDF Housing)

189"	92.5" x 164.75"	5"	190.75"	500 lbs.
200"	98" x 174.25"	5"	200.25"	515 lbs.
220"	107.75" x 191.75"	6"	217.75"	565 lbs.
230"	113" x 201"	6"	227"	675 lbs.
250"	122.5" x 218"	6"	244"	715 lbs.
⁽¹⁾ 280"	137.25" x 244"	8"	270"	850 lbs.

⁽¹⁾ Only available in BriteWhite and Rear-Vu.
Custom sizes and additional leader are available.
All items are shipped on a skid.



The Projection Screen Technology Leader



P. 800.770.4700 / 954.545.9000
F. 800.548.5885 / 954.545.9011
www.vutec.com