

# LECTRIC III-C

## Motorized Tab-Tensioned Screen for Wall or Ceiling for Large Venues

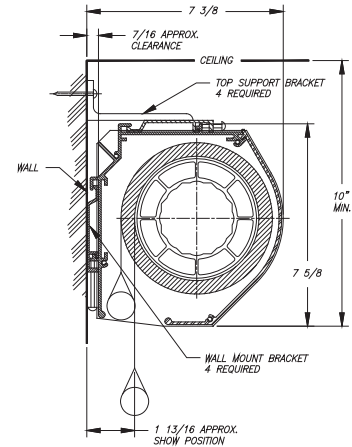
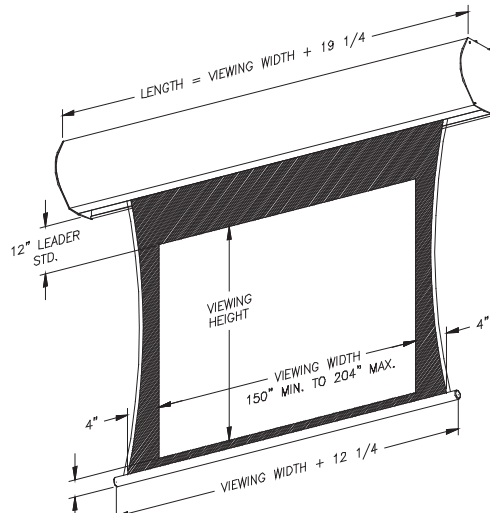
The **Lectric III-C** is a tab-tensioned electric screen designed to address today's larger projection venues.

Sizes start at 159" D (16:9) through 240" D (4:3).

The **Lectric III-C** features an all aluminum housing and interfaces with low voltage relays, IR, RF and RS-232 controls.



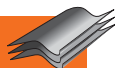
### TECHNICAL



### FEATURES

- Surface mount for wall or ceiling
- Extruded heavy duty aluminum housing with choice of black or white finish
- Vutec EMS™ (EZ-Mounting System)
- Ribbed aluminum roller featuring Vutec's FRS™ (Fabric Relief Step)
- Sizes to 250" D in 4:3, 230" D in 16:9
- Quiet motor-in-roller design
- Standard 12" black leader
- Interfaces with low voltage relays, IR, RF and RS-232 remote controls
- Custom sizes and formats available
- Available in 16:10 and 2.40:1 formats

### SURFACES



- BriteWhite
- PearlBrite
- Rear-Vu
- GreyDove

Diagonal	Viewing Area (nominal)	Housing Width	Shipping (nominal)
<b>4:3 Video Format (Aluminum Housing)</b>			
200"	120" x 160"	179.25"	295 lbs.
210"	126" x 168"	187.25"	308 lbs.
220"	132" x 176"	195.25"	326 lbs.
240"	144" x 192"	211.25"	349 lbs.
<b>16:9 HDTV Format (Aluminum Housing)</b>			
159"	78" x 139"	158.25"	255 lbs.
189"	92.5" x 164.75"	184"	294 lbs.
200"	98" x 174.25"	193.5"	309 lbs.
220"	107.75" x 191.75"	211"	325 lbs.
230"	113" x 201"	220.25"	351 lbs.
<b>2.35:1 Widescreen Format (Aluminum Housing)</b>			
184"	72" x 169.25"	188.5"	294 lbs.
200"	78.25" x 184"	203.25"	313 lbs.

Custom sizes and additional leader are available.  
All items are shipped on a skid.



The Projection Screen Technology Leader



P. 800.770.4700 / 954.545.9000  
F. 800.548.5885 / 954.545.9011  
www.vutec.com