

LECTRIC II-C MDF

Flush Ceiling Mount Screen for Large Venues



The **Lectric II-C MDF** has been designed for large in-ceiling projection applications.

The **Lectric II-C MDF** is an all MDF housing and is available in sizes up to 320" D (4:3).

The **Lectric II-C MDF** has a *plenum rated* housings and interface with low voltage relays, IR, RF and RS-232 controls.

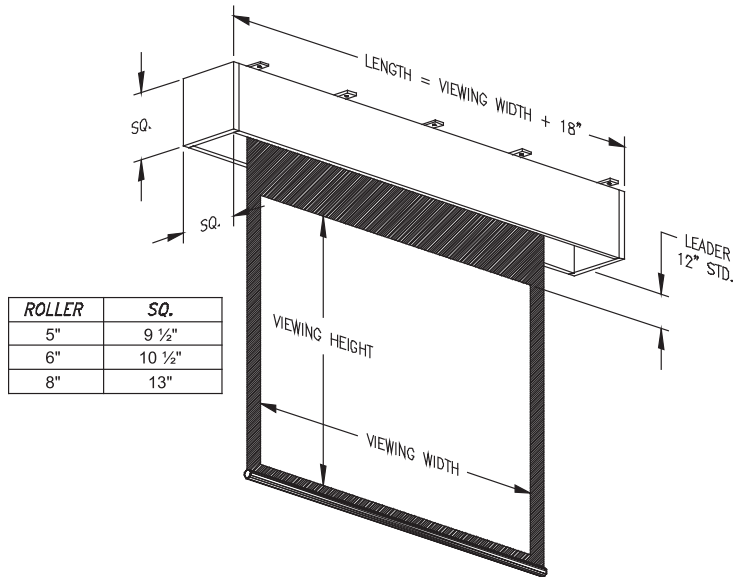
FEATURES

- Plenum rated heavy duty MDF housing
- Rigid large diameter aluminum roller
- Standard 12" black leader
- Interfaces with low voltage relays, IR, RF and RS-232 remote controls
- Custom sizes and formats available
- Available in 16:10 and 2.40:1 formats

Optional

- Service door
- White or black aluminum ceiling trim kit
- White or black mica finish on service door and trim

TECHNICAL



ROLLER	SQ.
5"	9 1/2"
6"	10 1/2"
8"	13"

SURFACES

- Matte White

Diagonal	Viewing Area (nominal)	Roller	Housing Width	Shipping (nominal)
4:3 Video Format (MDF Housing)				
200"	120" x 160"	5"	178"	475 lbs.
210"	126" x 168"	5"	186"	500 lbs.
220"	132" x 176"	5"	194"	525 lbs.
240"	144" x 192"	6"	210"	550 lbs.
270"	162" x 216"	6"	234"	725 lbs.
300"	180" x 240"	8"	258"	800 lbs.
320"	192" x 256"	8"	274"	850 lbs.
16:9 HDTV Format (MDF Housing)				
200"	98" x 174.25"	5"	192.25"	505 lbs.
210"	103" x 183"	5"	201"	525 lbs.
220"	107.75" x 191.75"	6"	209.75"	550 lbs.
240"	113" x 201"	6"	219"	675 lbs.

Custom sizes and additional leader are available.
All items are shipped on a skid.



The Projection Screen Technology Leader



P. 800.770.4700 / 954.545.9000
F. 800.548.5885 / 954.545.9011
www.vutec.com