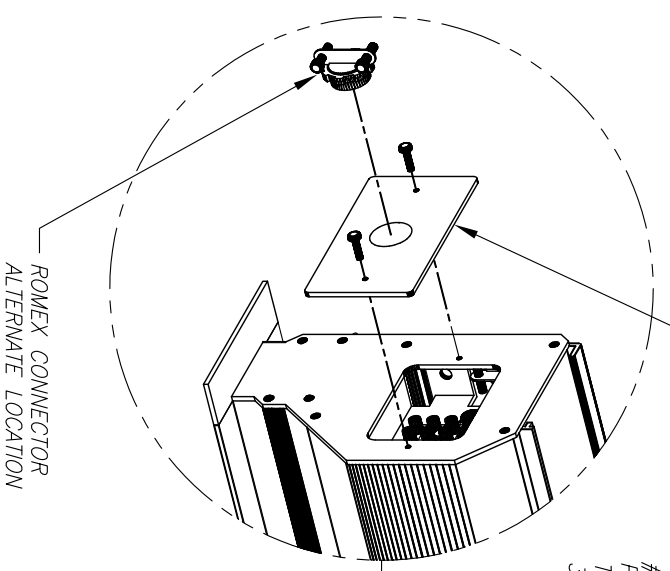
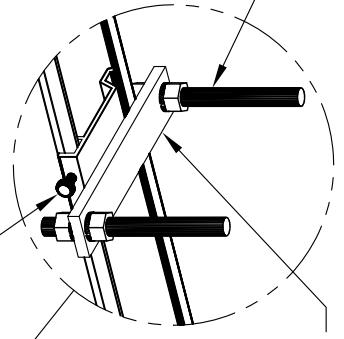


3/8-16 (OR M10) THREADED ROD
HELICAL LOCK WASHER
HEX NUT
BY INSTALLERS

ELECTRICAL COVER PLATE



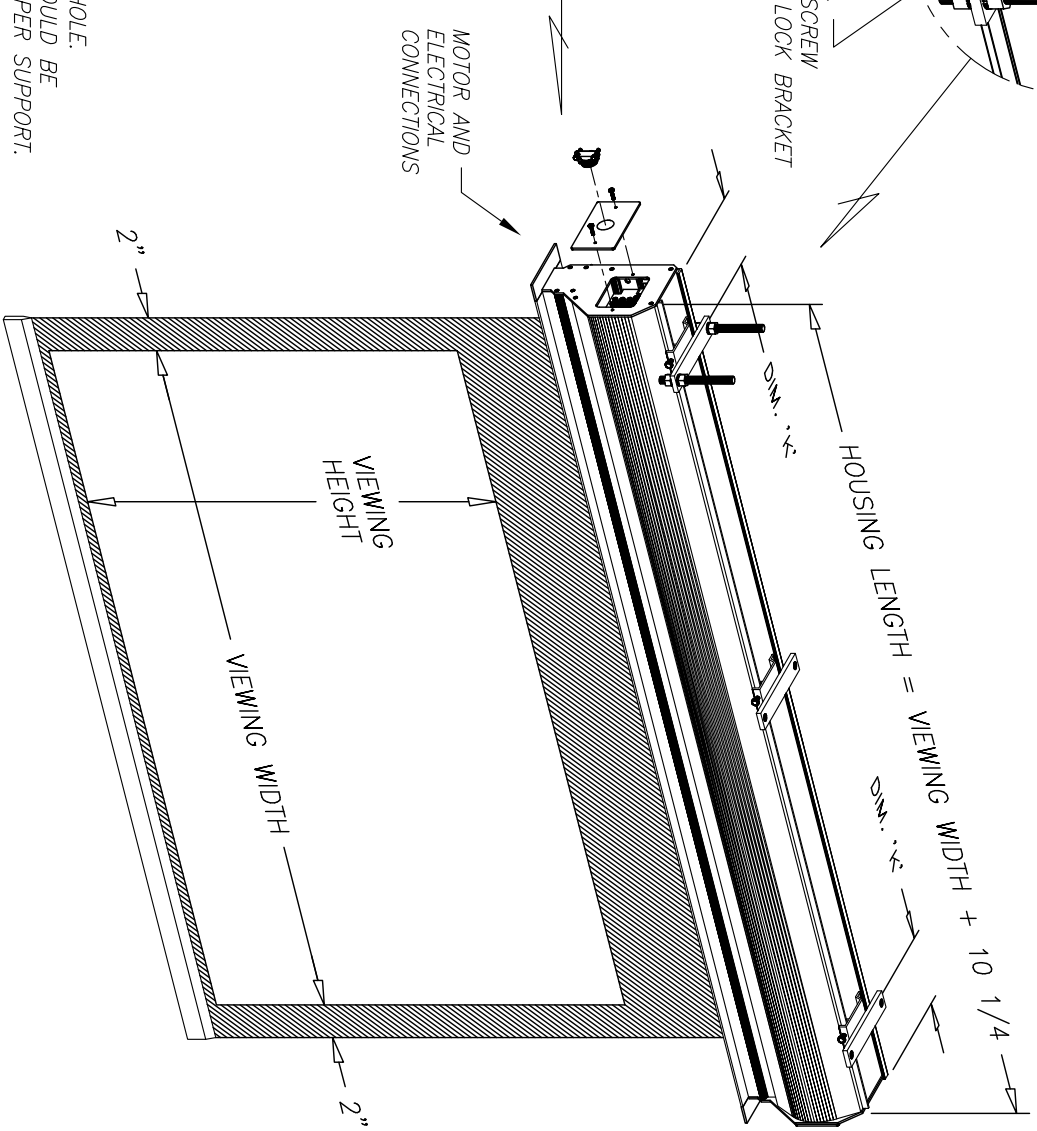
#10-32 X 3/4 LG.
PAN HEAD PHILLIP SCREW
TIGHTEN SCREW TO LOCK BRACKET
3 PLACES



MOUNTING BRACKET
3 PLACES

MOTOR AND
ELECTRICAL
CONNECTIONS

HOUSING LENGTH FOR TAB-TENSIONED SCREEN
VIEWING WIDTH + 17 1/4



STEP 1

- 1 - REFERRING TO FIGURE 1 OF STEP 2, DETERMINE CEILING CUT OUT HOLE.
- 2 - DETERMINE MOUNTING PLAN FOR THE THREADED RODS. DIM. 'K' SHOULD BE LOCATED 4 TO 6 INCHES FOR THE END MOUNT BRACKETS FOR PROPER SUPPORT. THE MIDDLE MOUNT BRACKET SHOULD BE LOCATED IN THE CENTER.
- 3 - ATTACH MOUNT BRACKETS TO HOUSING. BE SURE TO TIGHTEN SCREWS TO LOCK BRACKETS TO HOUSING.
- 4 - REMOVE CEILING TILES OF THE CUT OUT. HANG THE SCREEN HOUSING.
- 5 - RELOAD CEILING TILES ONTO FLANGES OF HOUSING. CHECK THE HOUSING LEVEL AND SQUARE. MAKE ADJUSTMENTS AS NECESSARY. TIGHTEN ALL NUTS AND BOLTS.

<p>VUTECH CORPORATION 2741 N.E. 4th AVENUE, POMPANO BEACH, FLORIDA 33064</p>		<p>DESCRIPTION</p> <p>CEILING INSTALLATION LECTRIC I - FLANGE KIT</p>	<p>DRAWING NO.</p> <p>LICE-INSTL</p>
		<p>DRAWN BY</p> <p>12/01/08 HN</p>	<p>CHECKED BY</p>
<p>SCALE: 1/12</p>		<p>REV</p> <p>A</p>	

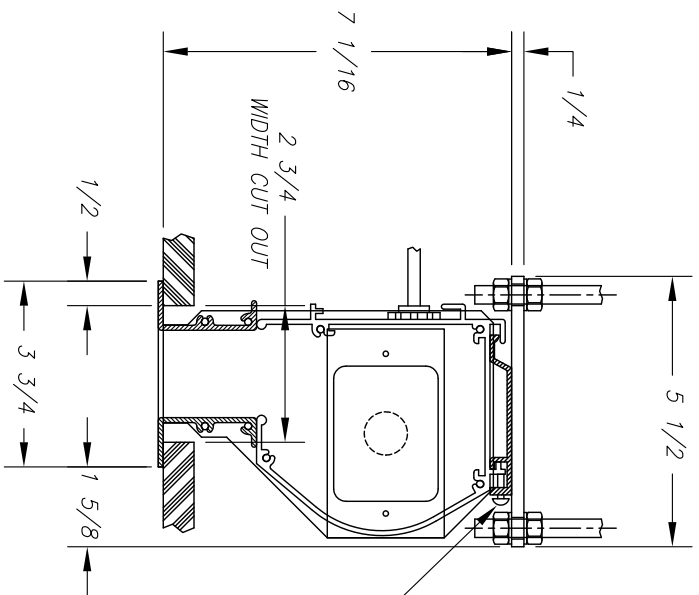


FIGURE 1

LENGTH CUT OUT = HOUSING LENGTH + 3/4

- 1 - REVIEW WIRING DIAGRAM AND MAKE PLAN FOR CONNECTIONS.
- 2 - THE PIG TAIL 4-CONDUCTOR CABLE MAY BE REPLACED WITH NEW 4-CONDUCTOR CABLE FOR A CONTINUOUS CONNECTION TO THE WALL SWITCH.
- 3 - REMOVE ELECTRICAL COVER PLATE TO ACCESS THE EUROSTRIP INSIDE.
- 4 - MAKE WIRING CONNECTIONS AS REQUIRED. REINSTALL THE COVER WHEN DONE.
- 5 - REFERRING TO THE MOTOR LIMIT SWITCHES ADJUSTMENTS TO CHANGE THE SCREEN'S LOWER AND/OR UPPER LIMITS.

STEP 2

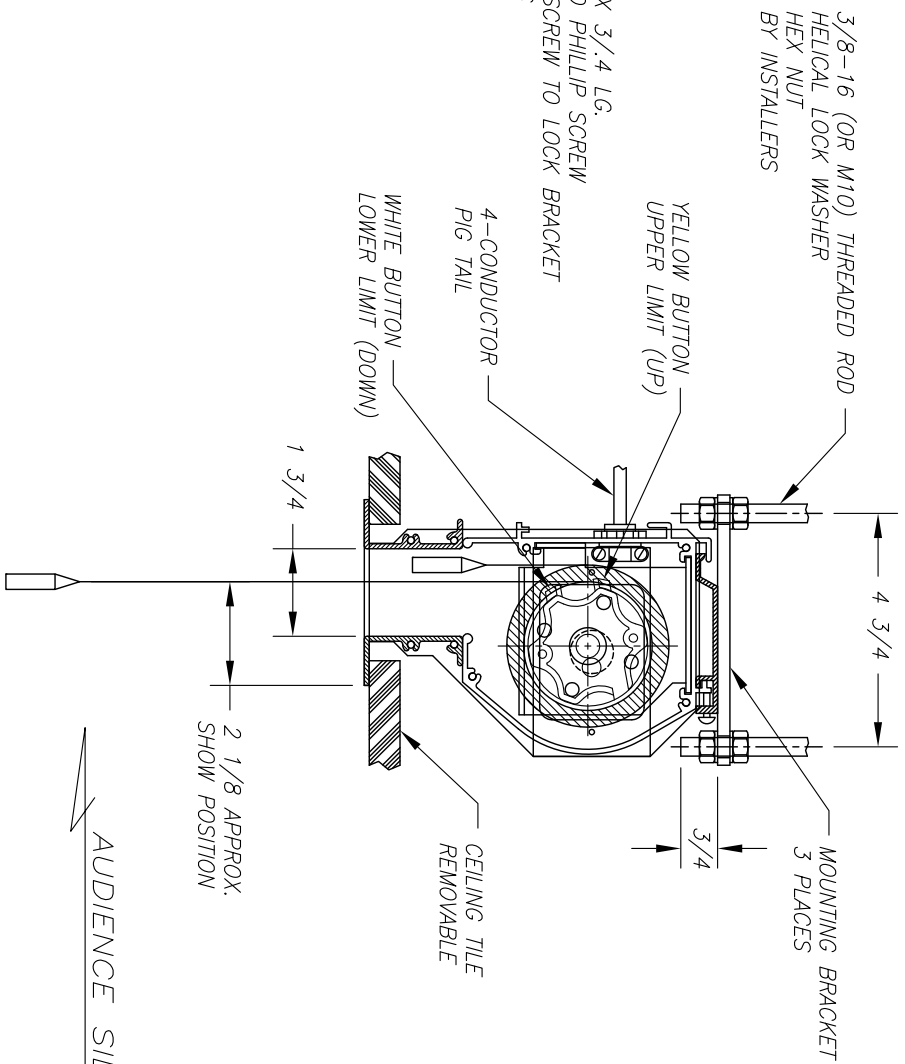
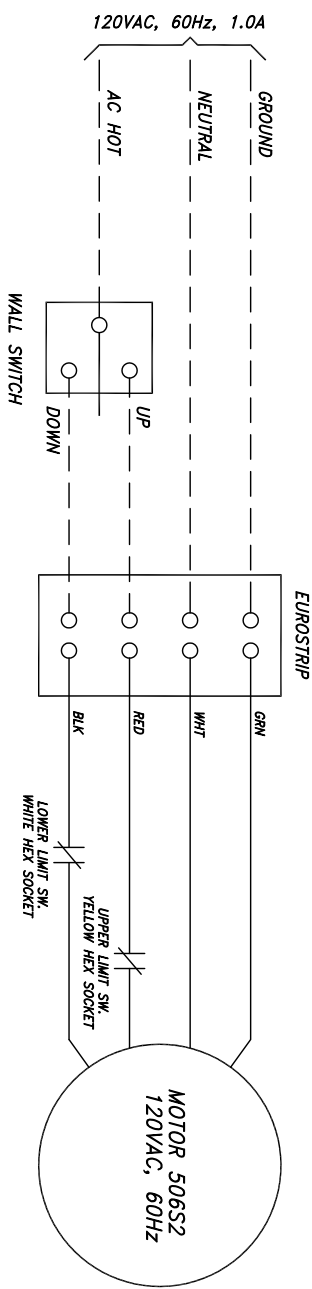


FIGURE 2

VUTEC CORPORATION	
DRAWN BY 12/01/08 HN CHECKED BY	DESCRIPTION 2741 N.E. 4th AVENUE, POMPANO BEACH, FLORIDA 33064 CEILING INSTALLATION LECTRIC I - FLANGE KIT
DRAWING NO. LICE-INSTL	SCALE: 1/4 REV A

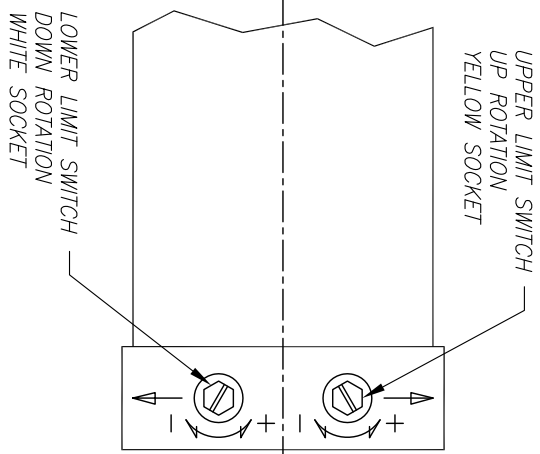
ELECTRICAL NOTES

- 1 - DASHED WIRING BY INSTALLERS; WIRING MUST BE PERFORMED BY QUALIFIED ELECTRICIANS AND COMPLIED WITH NATIONAL AND/OR LOCAL ELECTRICAL CODES AND REGULATIONS.
- 2 - MOTOR: 506S2, 120VAC, 38 RPM, 1.0 Amp.
- 3 - CURRENT IN-RUSH FACTOR: 6
- 4 - WALL SWITCH (SUPPLIED): SPDT, 15 Amp @ 120/250 VAC
- 5 - OPTIONAL CONTROL: IR OR RF REMOTE CONTROL, 12VDC RELAY TRIGGER



LIMIT SWITCH ADJUSTMENTS

- 1 - NORMALLY, USER DO NOT NEED TO ADJUST THE UPPER AND LOWER LIMITS OF THE MASK SCREEN UNLESS THE MOTOR HAS BEEN SERVICED.
- 2 - NOTE EACH FULL TURN OF THE LIMIT SWITCH SOCKET WILL CAUSE THE SCREEN TO TRAVEL APPROXIMATELY 1/2 INCH.
- 3 - TURN EACH SWITCH SOCKET IN THE DESIRED DIRECTION TO EFFECT THE CHANGE.
- 4 - SEND THE SCREEN UP OR DOWN TO SEE THE CHANGE
- 5 - REPEAT STEP 3 AS OFTEN TO SATISFY THE CHANGE REQUIREMENTS.



THE MOTOR LIMIT SWITCHES ARE ACCESS THROUGH THE HOLES ON THE REAR OF HOUSING

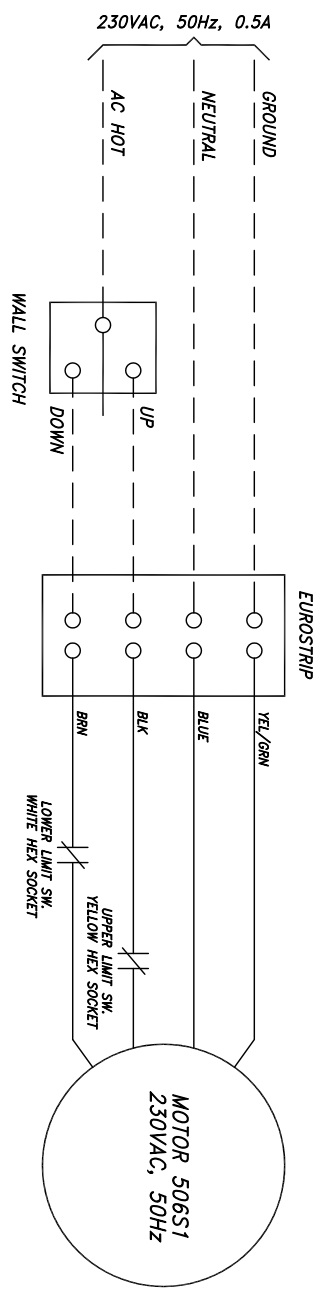
MOTOR LIMIT SWITCHES

USE 5/32 HEX KEY (SUPPLIED) OR 1/8 WIDE FLAT BLADE SCREWDRIVER TO TURN

VUTEC CORPORATION	
2741 N.E. 4th AVENUE. POMPANO BEACH, FL 33064	DRAWING NO. LICE-INSTL_WD
DRAWN BY: 12/01/08 HN CHECKED BY:	DESCRIPTION: WIRING DIAGRAM - 120VAC ELECTRIC CE - CEILING SCALE: 1/20
REV A	

ELECTRICAL NOTES

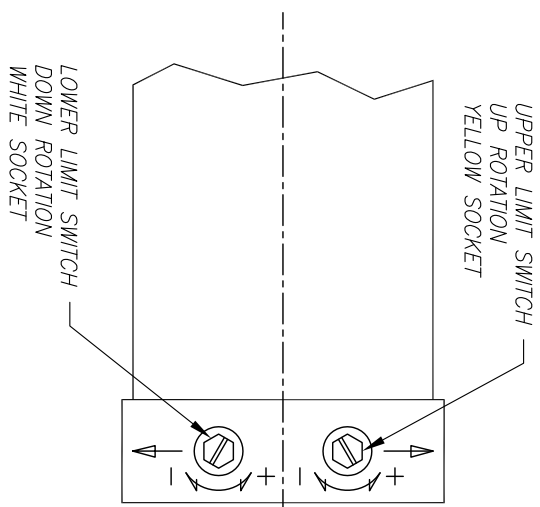
- 1 - DASHED WIRING BY INSTALLERS; WIRING MUST BE PERFORMED BY QUALIFIED ELECTRICIANS AND COMPLIED WITH NATIONAL AND/OR LOCAL ELECTRICAL CODES AND REGULATIONS.
- 2 - MOTOR: 506S1, 230VAC, 32 RPM, 0.5 Amp.
- 3 - CURRENT IN-RUSH FACTOR: 6
- 4 - WALL SWITCH (SUPPLIED): SPDT, 15 Amp @ 120/250 VAC
- 5 - OPTIONAL CONTROL: IR OR RF REMOTE CONTROL, 12VDC RELAY TRIGGER



LIMIT SWITCH ADJUSTMENTS

- 1 - NORMALLY, USER DO NOT NEED TO ADJUST THE UPPER AND LOWER LIMITS OF THE MASK SCREEN UNLESS THE MOTOR HAS BEEN SERVICED.
- 2 - NOTE EACH FULL TURN OF THE LIMIT SWITCH SOCKET WILL CAUSE THE SCREEN TO TRAVEL APPROXIMATELY 1/2 INCH.
- 3 - TURN EACH SWITCH SOCKET IN THE DESIRED DIRECTION TO EFFECT THE CHANGE.
- 4 - SEND THE SCREEN UP OR DOWN TO SEE THE CHANGE
- 5 - REPEAT STEP 3 AS OFTEN TO SATISFY THE CHANGE REQUIREMENTS.

THE MOTOR LIMIT SWITCHES ARE ACCESS THROUGH THE HOLES ON THE REAR OF HOUSING



MOTOR LIMIT SWITCHES

USE 5/32 HEX KEY (SUPPLIED)
OR 1/8 WIDE FLAT BLADE SCREWDRIVER TO TURN

<h1>VUTECH CORPORATION</h1>	
2741 N.E. 4th AVENUE. POMPANO BEACH, FL 33064 WIRING DIAGRAM - 230VAC ELECTRIC CE - CEILING	DRAWING NO. LICE-INSTL_WD SCALE: 1/20 REV A
DRAWN BY: 12/01/08 HN CHECKED BY:	DESCRIPTION: 2741 N.E. 4th AVENUE. POMPANO BEACH, FL 33064