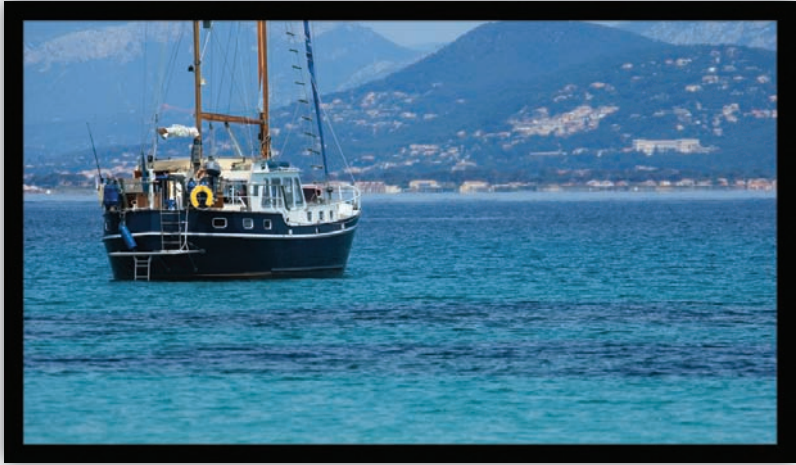




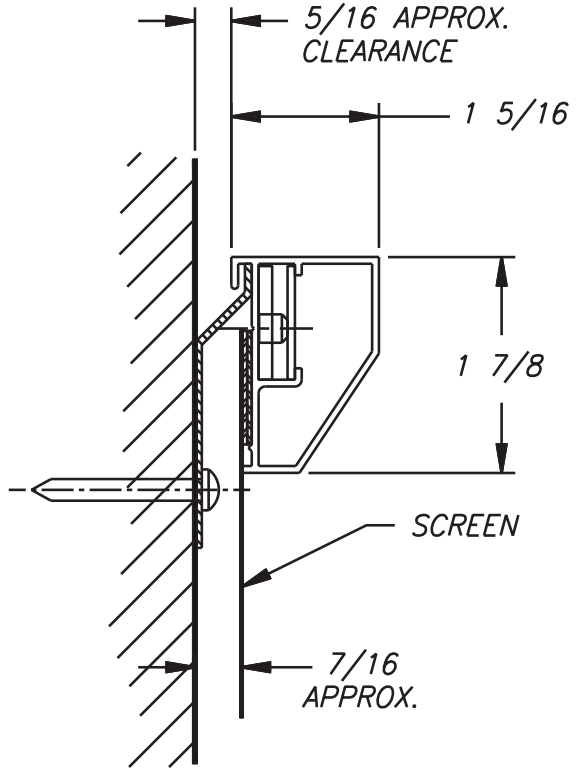
← LENGTH = VIEWING WIDTH + 3 3/4" →



- Easy to assemble
- Extruded aluminum frame
- Vutec's Velcro Tensioning System
- Matte white or gray screen surface
- Black velvet finish

Elegante is a high-quality competitively priced fixed frame wall screen

Model	Diagonal	Viewing Area (nominal)	Shipping Wt. (approx)
4:3 Video Format			
01-ELF4357	72"	43.25" x 57.5"	25 lbs.
01-ELF5067	84"	50.5" x 67.25"	28 lbs.
01-ELF6080	100"	60" x 80"	30 lbs.
01-ELF7296	120"	72" x 96"	33 lbs.
01-ELF86115	144"	86.25" x 115.25"	87 lbs. (s)
01-ELF96128	160"	96" x 128"	95 lbs. (s)
01-ELF108144	180"	108" x 144"	100 lbs. (s)
16:9 HDTV Format			
01-ELF4580	92"	45" x 80"	29 lbs.
01-ELF5089	103"	50.5" x 89.75"	31 lbs.
01-ELF5496	110"	54" x 96"	33 lbs.
01-ELF60107	123"	60" x 107"	34 lbs.
01-ELF65116	133"	65" x 116"	88 lbs. (s)
01-ELF72128	147"	72" x 128"	95 lbs. (s)



MADE IN U.S.A. (s) denotes item is shipped on a skid

For assistance in specifying the proper Eleganté screen for your application, contact Vutec Sales at (800) 770-4700