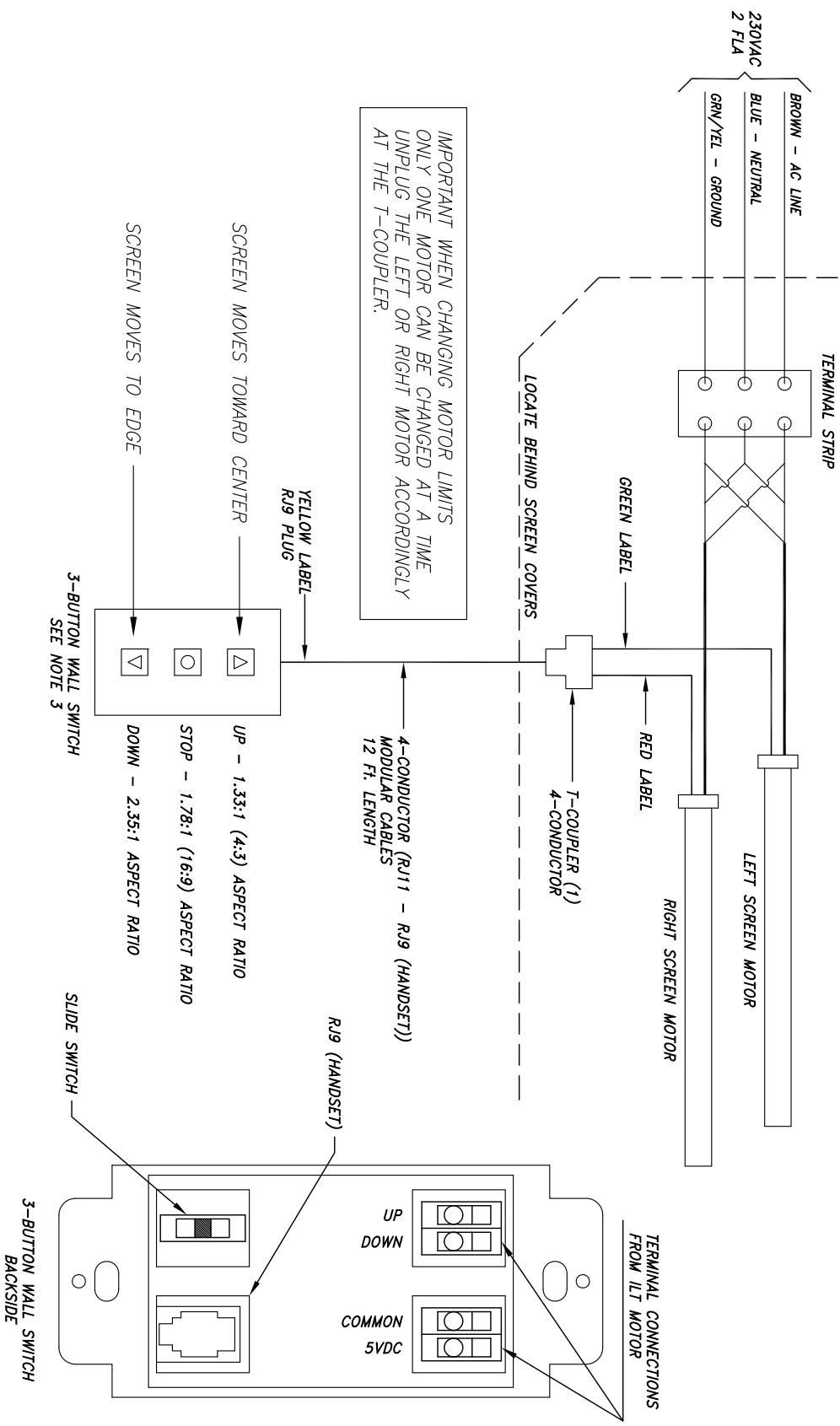


- NOTES:
- 1 - WIRINGS MUST BE INSTALLED BY QUALIFIED ELECTRICIANS AND COMPLIED WITH NATIONAL AND/OR LOCAL ELECTRICAL CODES AND REGULATIONS
  - 2 - PLACE THE IR-6 CONTROLLER IN A CONVENIENT LOCATION FOR EASY ACCESS
  - 3 - OPTIONAL WIRINGS (CABLE SUPPLIED) FOR AUTOMATION SYSTEM CONNECTIONS

|  |  |   |  |
|--|--|---|--|
| <h1 style="text-align: center;">VTEC CORPORATION</h1> <p style="text-align: center;">2741 N.E. 4th AVENUE. POMPANO BEACH, FL 33064</p> |  | DRAWING NO.                                   |  |
|  |  | DCV40-SCH230                                  |  |
| <p style="text-align: center;">WIRING DIAGRAM - 230 VAC</p>  |  | <p style="text-align: center;">SCALE: 4/5</p> |  |
| <p style="text-align: center;">DYNACURVE</p>   |  | <p style="text-align: center;">REV A</p>      |  |



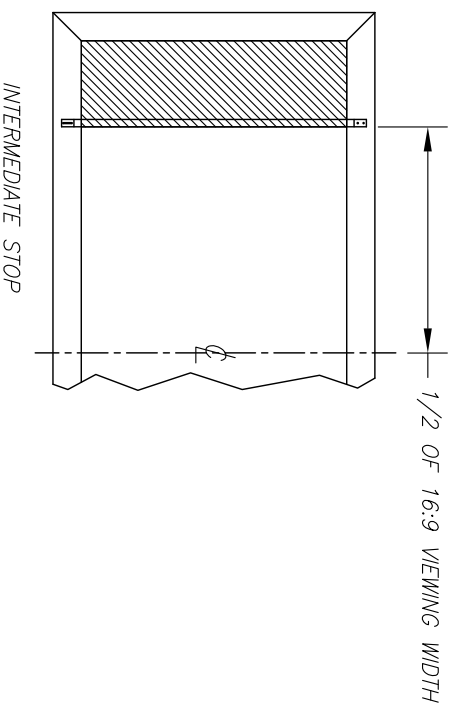
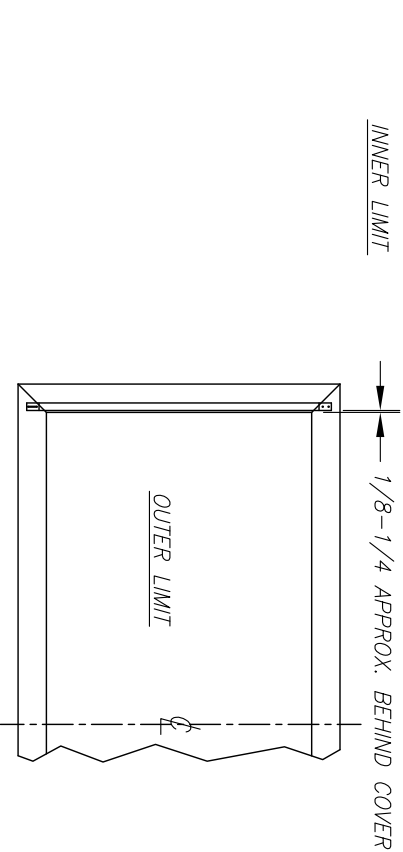
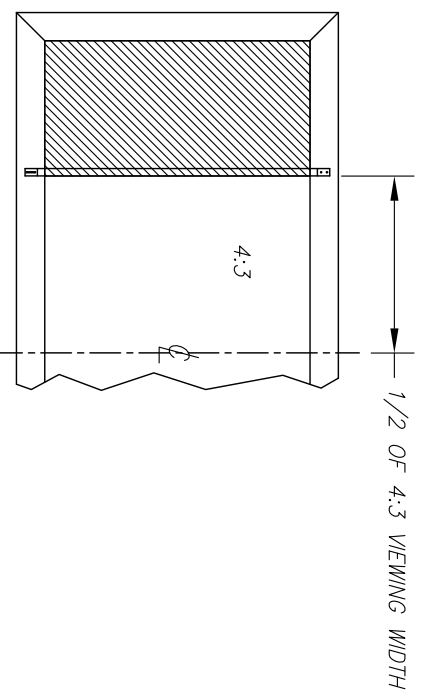
IMPORTANT WHEN CHANGING MOTOR LIMITS ONLY ONE MOTOR CAN BE CHANGED AT A TIME UNPLUG THE LEFT OR RIGHT MOTOR ACCORDINGLY AT THE T-COUPLER.

|  |  |                         |
|--|--|-------------------------|
| <h1 style="text-align: center;">VUTECH CORPORATION</h1> <p style="text-align: center;">2741 N.E. 4th AVENUE, POMPANO BEACH, FL 33064</p> |  | DRAWN BY<br>04/15/09 HN |
|  |  | CHECKED BY              |
| <h2 style="margin: 0;">WIRING DIAGRAM - 230 VAC</h2>   |  |                         |
| DRAWING NO.<br>DCV40-SCH230  |  | REV<br>A                |

- CHANGING THE INNER LIMIT (4:3 SCREEN RATIO)
- SET THE SLIDE SWITCH TO LOWER POSITION TO CHANGE THE INNER LIMIT.
- CONTROL OF MOTOR BECOMES MOMENTARY ACTION.
- PRESSING THE UP-ARROW BUTTON MUST MOVE THE SCREEN TOWARD CENTER.
- IF THE SCREEN MOVES IN THE OPPOSITE DIRECTION; MOMENTARY PRESS THE STOP BUTTON TO CHANGE DIRECTION.
- PRESS THE UP-ARROW OR DOWN-ARROW BUTTONS TO MOVE THE SCREEN TO THE DESIRED POSITION. RELEASE THE BUTTON TO STOP THE SCREEN.
- DO NOT PRESS STOP BUTTON TO STOP THE SCREEN!
- SET THE SLIDE SWITCH TO CENTER POSITION TO RETURN TO NORMAL OPERATIONS.

- CHANGING THE OUTER LIMIT (2.35:1 SCREEN RATIO)
- SET THE SLIDE SWITCH TO UPPER POSITION TO CHANGE THE OUTER LIMIT.
- CONTROL OF MOTOR BECOMES MOMENTARY ACTION.
- PRESSING THE DOWN-ARROW BUTTON MUST MOVE THE SCREEN TO THE EDGE.
- IF THE SCREEN MOVES IN THE OPPOSITE DIRECTION; MOMENTARY PRESS THE STOP BUTTON TO CHANGE DIRECTION.
- PRESS THE UP-ARROW OR DOWN-ARROW BUTTONS TO MOVE THE SCREEN TO THE DESIRED POSITION. RELEASE THE BUTTON TO STOP THE SCREEN.
- DO NOT PRESS STOP BUTTON TO STOP THE SCREEN!
- SET THE SLIDE SWITCH TO CENTER POSITION TO RETURN TO NORMAL OPERATIONS.

- CHANGING THE INTERMEDIATE STOP (16:9 SCREEN RATIO)
- THE SLIDE SWITCH MUST BE AT CENTER POSITION FOR NORMAL OPERATIONS.
- PRESS THE UP-ARROW OR DOWN-ARROW BUTTONS TO MOVE THE SCREEN TO THE DESIRED POSITION. PRESS THE STOP BUTTON TO STOP THE SCREEN.
- PRESS AND HOLD THE STOP BUTTON FOR MINIMUM OF 5 SECONDS TO RECORD THE INTERMEDIATE POSITION.
- CHECK ALL THE DESIRED SETTINGS BY PRESSING THE BUTTONS.
- IMPORTANT FEATURE OF THE STOP BUTTON:
  - WHILE THE SCREEN MOVING; PRESS THE STOP BUTTON WILL CAUSE THE SCREEN TO STOP AT RANDOM.
  - PRESS THE STOP BUTTON WHILE THE SCREEN IS AT REST WILL CAUSE THE SCREEN TO MOVE TO ITS PROGRAMMED STOP.



SHEET 3 OF 3

# VUTECH CORPORATION

2741 N.E. 4th AVENUE. POMPANO BEACH, FL 33064

DRAWN BY

04/15/09 HN

DESCRIPTION

WIRING DIAGRAM - 230 VAC  
DYNACURVE

DRAWING NO.

DCV40-SCH230

SCALE: 4/5

REV  
A