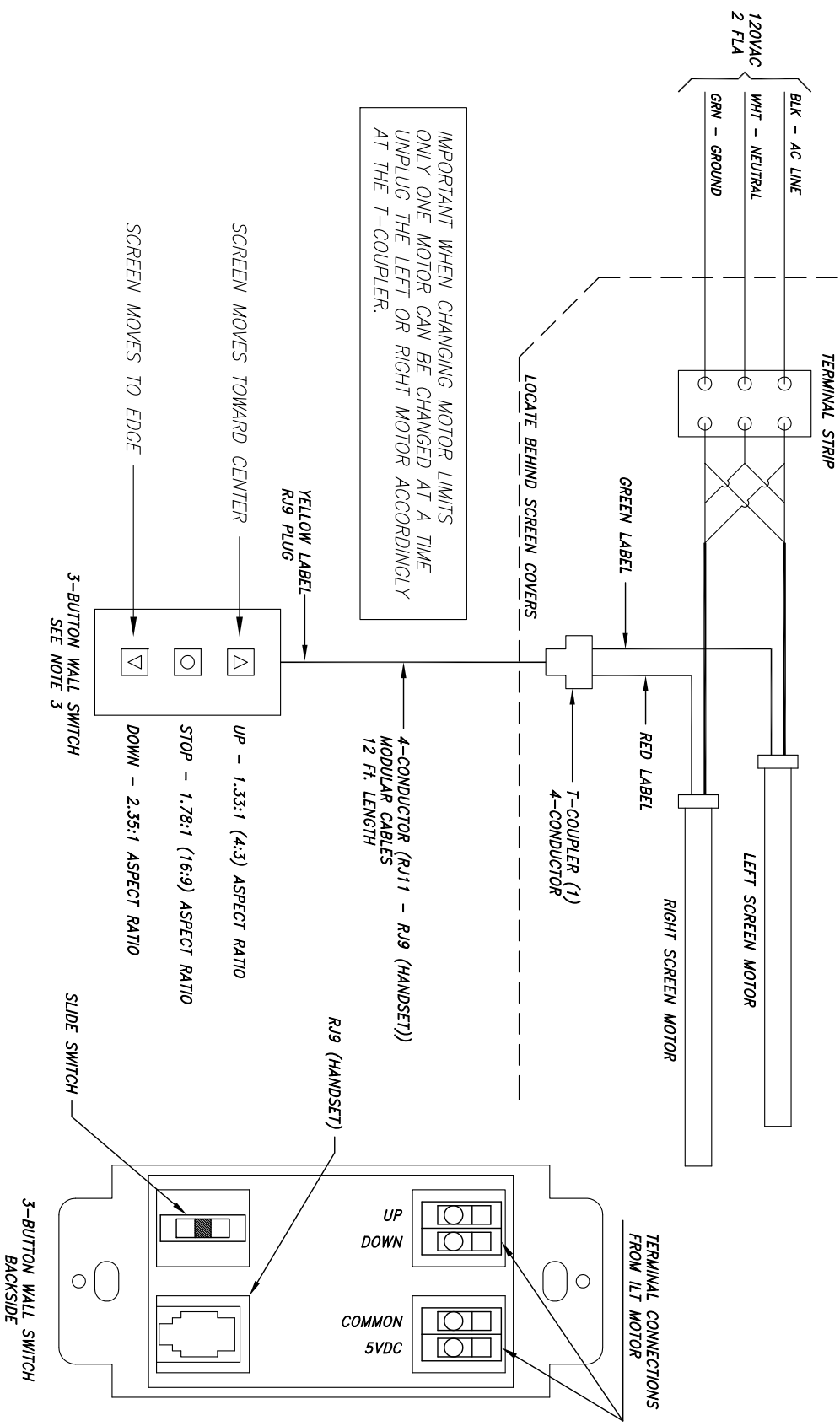


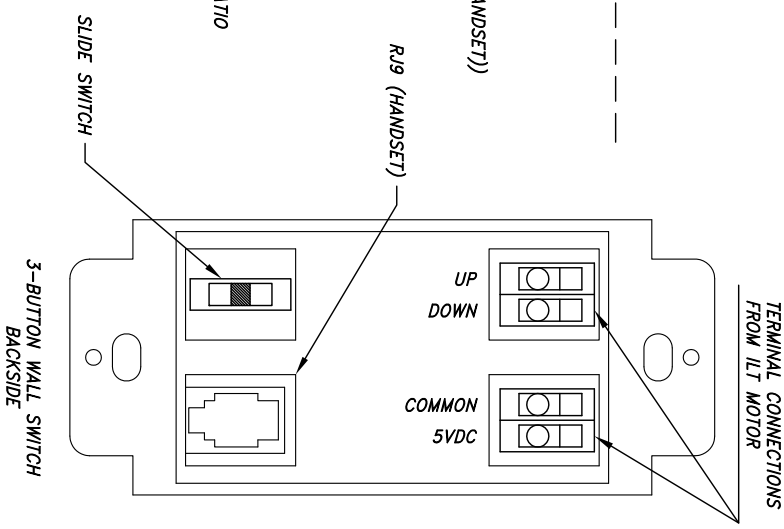
- NOTES:
- 1 - WIRINGS MUST BE INSTALLED BY QUALIFIED ELECTRICIANS AND COMPLIED WITH NATIONAL AND/OR LOCAL ELECTRICAL CODES AND REGULATIONS
  - 2 - PLACE THE IR-6 CONTROLLER IN A CONVENIENT LOCATION FOR EASY ACCESS
  - 3 - OPTIONAL WIRINGS (CABLE SUPPLIED) FOR AUTOMATION SYSTEM CONNECTIONS

<h1 style="text-align: center;">VTEC CORPORATION</h1> <p style="text-align: center;">2741 N.E. 4th AVENUE. POMPANO BEACH, FL 33064</p>		DRAWING NO.	
		DCV40-SCH120	
<p style="text-align: center;">WIRING DIAGRAM - 120 VAC</p> <p style="text-align: center;">DYNACURVE</p>		<p style="text-align: center;">SCALE: 4/5</p>	
<p>DRAWN BY 04/15/09 HN</p>	<p>CHECKED BY</p>	<p>REV A</p>	<p>SHEET 1 OF 3</p>



IMPORTANT WHEN CHANGING MOTOR LIMITS ONLY ONE MOTOR CAN BE CHANGED AT A TIME UNPLUG THE LEFT OR RIGHT MOTOR ACCORDINGLY AT THE T-COUPLER.

SCREEN MOVES TOWARD CENTER  
 SCREEN MOVES TO EDGE  
 3-BUTTON WALL SWITCH  
 SEE NOTE 3

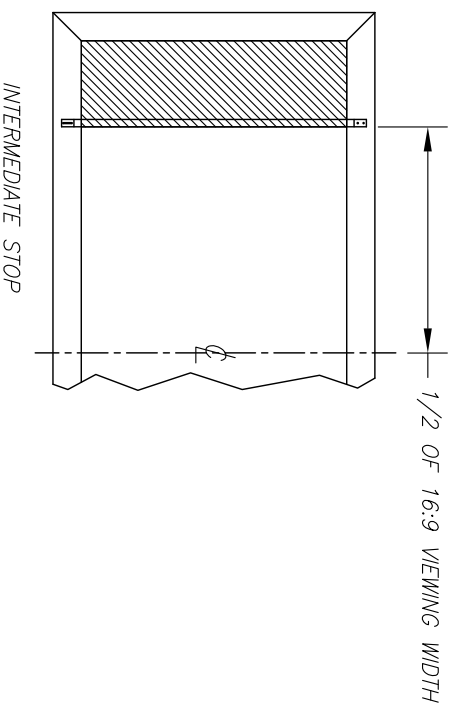
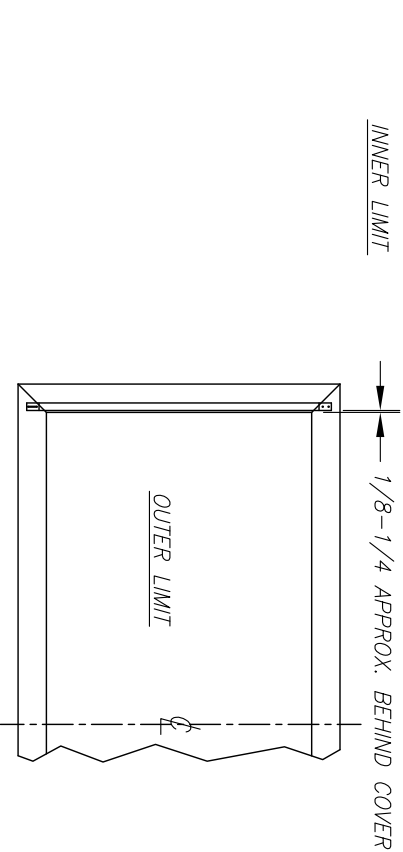
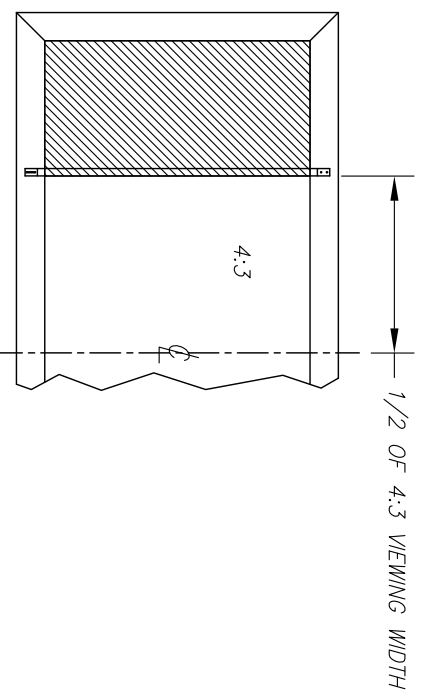


<h1 style="text-align: center;">VUTEC CORPORATION</h1> <p style="text-align: center;">2741 N.E. 4th AVENUE. POMPANO BEACH, FL 33064</p>		DRAWING NO. DCV40-SCH120
		SCALE: 4/5
DRAWN BY 04/15/09 HN	DESCRIPTION WIRING DIAGRAM - 120 VAC DYNACURVE	CHECKED BY
SHEET 2 OF 3		REV A

- CHANGING THE INNER LIMIT (4:3 SCREEN RATIO)
- SET THE SLIDE SWITCH TO LOWER POSITION TO CHANGE THE INNER LIMIT.
- CONTROL OF MOTOR BECOMES MOMENTARY ACTION.
- PRESSING THE UP-ARROW BUTTON MUST MOVE THE SCREEN TOWARD CENTER.
- IF THE SCREEN MOVES IN THE OPPOSITE DIRECTION; MOMENTARY PRESS THE STOP BUTTON TO CHANGE DIRECTION.
- PRESS THE UP-ARROW OR DOWN-ARROW BUTTONS TO MOVE THE SCREEN TO THE DESIRED POSITION. RELEASE THE BUTTON TO STOP THE SCREEN.
- DO NOT PRESS STOP BUTTON TO STOP THE SCREEN!
- SET THE SLIDE SWITCH TO CENTER POSITION TO RETURN TO NORMAL OPERATIONS.

- CHANGING THE OUTER LIMIT (2.35:1 SCREEN RATIO)
- SET THE SLIDE SWITCH TO UPPER POSITION TO CHANGE THE OUTER LIMIT.
- CONTROL OF MOTOR BECOMES MOMENTARY ACTION.
- PRESSING THE DOWN-ARROW BUTTON MUST MOVE THE SCREEN TO THE EDGE.
- IF THE SCREEN MOVES IN THE OPPOSITE DIRECTION; MOMENTARY PRESS THE STOP BUTTON TO CHANGE DIRECTION.
- PRESS THE UP-ARROW OR DOWN-ARROW BUTTONS TO MOVE THE SCREEN TO THE DESIRED POSITION. RELEASE THE BUTTON TO STOP THE SCREEN.
- DO NOT PRESS STOP BUTTON TO STOP THE SCREEN!
- SET THE SLIDE SWITCH TO CENTER POSITION TO RETURN TO NORMAL OPERATIONS.

- CHANGING THE INTERMEDIATE STOP (16:9 SCREEN RATIO)
- THE SLIDE SWITCH MUST BE AT CENTER POSITION FOR NORMAL OPERATIONS.
- PRESS THE UP-ARROW OR DOWN-ARROW BUTTONS TO MOVE THE SCREEN TO THE DESIRED POSITION. PRESS THE STOP BUTTON TO STOP THE SCREEN.
- PRESS AND HOLD THE STOP BUTTON FOR MINIMUM OF 5 SECONDS TO RECORD THE INTERMEDIATE POSITION.
- CHECK ALL THE DESIRED SETTINGS BY PRESSING THE BUTTONS.
- IMPORTANT FEATURE OF THE STOP BUTTON:
  - WHILE THE SCREEN MOVING; PRESS THE STOP BUTTON WILL CAUSE THE SCREEN TO STOP AT RANDOM.
  - PRESS THE STOP BUTTON WHILE THE SCREEN IS AT REST WILL CAUSE THE SCREEN TO MOVE TO ITS PROGRAMMED STOP.



SHEET 3 OF 3

# VUTECH CORPORATION

2741 N.E. 4th AVENUE. POMPANO BEACH, FL 33064

DRAWN BY

04/15/09 HN

DESCRIPTION

WIRING DIAGRAM - 120 VAC  
DYNACURVE

DRAWING NO.

DCV40-SCH120

CHECKED BY

SCALE: 4/5

REV  
A