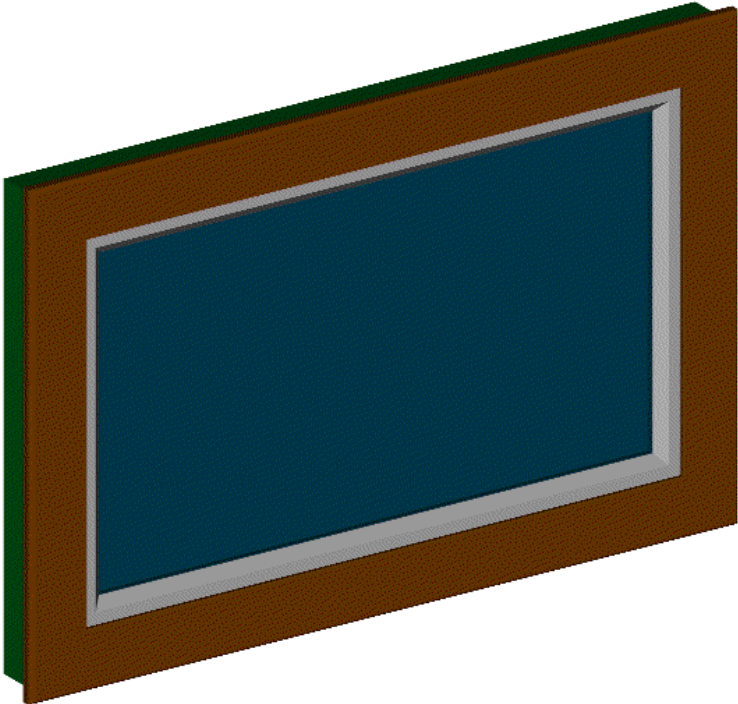


Installation Instructions

DecoFrame

PICTURE FRAME FOR LCD OR PLASMA TV MONITOR



IMPORTANT SAFETY INSTRUCTIONS

Basic safety precautions should always be followed; including the following:

- ♣ Read and understand all instructions before proceeding with the installation and operations.
- ♣ Be certain that the supporting structure is sound and capable of carrying the weight as required.
- ♣ Seek qualified electricians to perform electrical requirements.
- ♣ Obtain proper lifting mechanism to raise and hold the unit steady for installation.
- ♣ Plan ahead so the installation can go smoothly and efficiently.



IMPORTANT WARNINGS AND CAUTIONS!



WARNING: A WARNING ALERTS THE POSSIBILITY OF SERIOUS INJURY OR DEATH IF THE INSTRUCTIONS ARE NOT FOLLOWED.



CAUTION: A CAUTION ALERTS THE POSSIBILITY OF DAMAGE OR DESTRUCTION OF EQUIPMENT IF THE INSTRUCTIONS ARE NOT FOLLOWED.



WARNING: FAILURE TO READ, THOROUGHLY UNDERSTAND, AND FOLLOW ALL INSTRUCTIONS CAN RESULT IN SERIOUS PERSONAL INJURY, DAMAGE TO EQUIPMENT, OR VOIDING OF FACTORY WARRANTY! IT IS THE INSTALLER'S RESPONSIBILITY TO MAKE SURE ALL COMPONENTS ARE PROPERLY ASSEMBLED AND INSTALLED USING THE INSTRUCTIONS PROVIDED.



WARNING: FAILURE TO INSTALL ELECTRICAL REQUIREMENTS ACCORDING TO NATIONAL/LOCAL ELECTRICAL CODES AND REGULATIONS MAY CAUSE PREMATURE FAILURE, FIRE HAZARD, ELECTRICAL SHOCK, UNSAFE PRACTICE AND REVOCATION OF USE.

DISCLAIMER

Vutec Corporation intends to make this manual accurate and complete. However, Vutec makes no claim that the information contained herein covers all details, conditions or variations, nor does it provide for every possible contingency in connection with the installation for use of this product. The information contained in this document is subject to change without notice. Vutec makes no representation of warranty, expressed or implied, regarding the information contained herein. Vutec assumes no responsibility for accuracy, completeness or sufficiency of the information contained in this document.

PRE- INSTALLATION

- 1) Carefully cut and remove packing materials.
- 2) Carefully unpack and inspect the unit for sign of damages.
- 3) Be sure to recheck and measure all pertinent dimensions before installation.
- 4) Most basic tools are required for installation.

SAVE THESE INSTRUCTIONS

FEATURES AND CONSIDERATIONS

- ⇒ TV MUST BE HUNG TO WALL (WALL MOUNT BRACKETS NOT SUPPLIED) BY INSTALLERS.
- ⇒ DECOFRAME TO BE ATTACHED TO TV.
- ⇒ DECOFRAME DOES NOT COMPLETELY COVER SIDES, TOP AND BOTTOM OF TV.
- ⇒ DECOFRAME REVEALS ACTUAL TV'S VIEWING IMAGE AND COVERING ALL OTHER PARTS OF TV.
- ⇒ DECOFRAME IS NOT RECOMMENDED FOR TV WITH SIDE OR BOTTOM SPEAKERS.
- ⇒ DECOFRAME IS SIZE SPECIFIC TO TV'S DIAGONAL.
- ⇒ DECOFRAME IS EQUIPPED WITH PROTECTIVE FOAM PADS TO CUSHION BEZEL CONTACT.
- ⇒ IR REPEATER KIT IS INCLUDED.

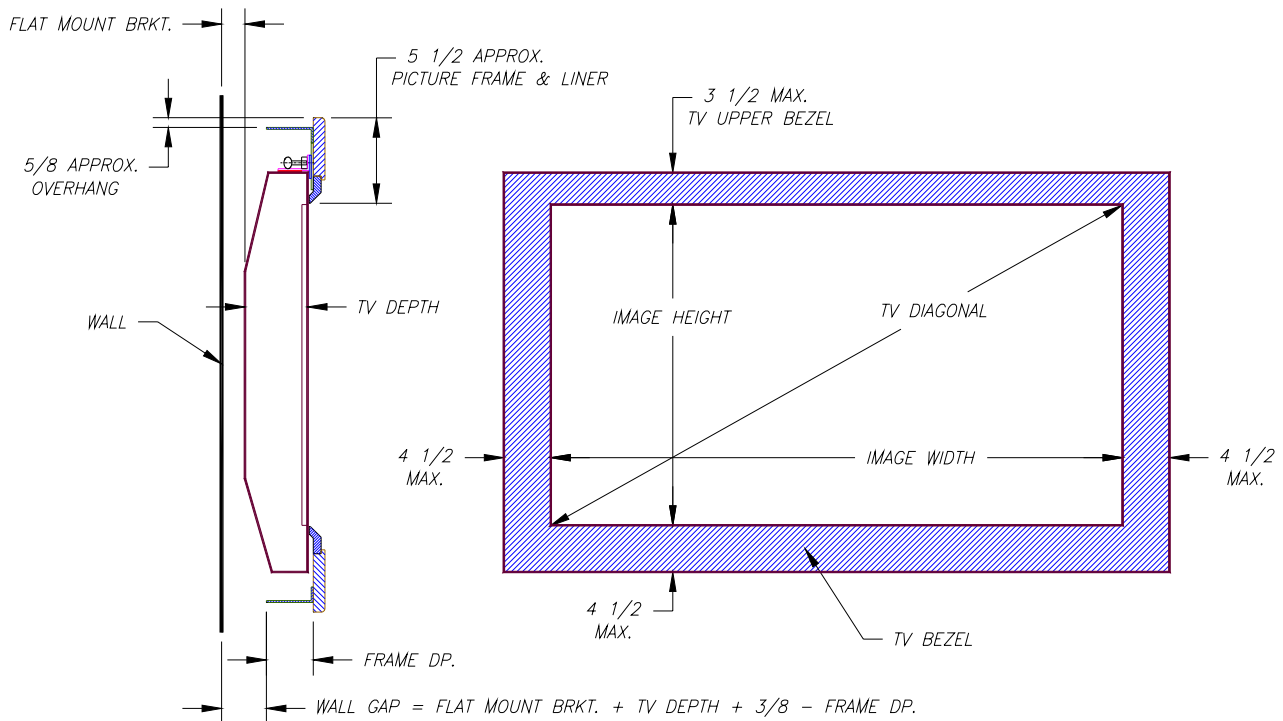


Figure 1
TV Dimensional Requirements

Measure TV's bezels and be sure that no one side exceeds the maximum dimensions shown in Figure 1.

FRAME DP. For TV sizes 32 through 45 inches diagonal is 3 inches.

FRAME DP. For TV sizes 46 through 65 inches diagonal is 4 inches.

***NOTE:** The actual TV diagonal is usually less than the listed diagonal by TV manufacturer. Therefore, DecoFrame opening is slightly larger in this instance.*

INSTALLATION

Measure the TV upper bezel. It must be 3 1/2 inches or less as shown in Figure 1.

Place the DecoFrame front face down on a flat and cleaned surface.

Loosen the thumb screws and move the Horizontal bracket to match the TV upper bezel dimension (Figure 3).

Tighten the thumb screw to lock the Horizontal bracket in place. Do not over tighten the screws.

Lift the DecoFrame up and flip the Velcro straps to the front face to keep them clear of the TV.

Hang DecoFrame onto TV as shown in Figure 1 side view. Correctly, the Horizontal bracket must rest on the top edge of TV. From the front face, push DecoFrame gently toward the TV to keep it in full contact with TV bezels. Check the vertical opening of the DecoFrame against the TV image height. The vertical placement must be centered to one another. Readjust the Horizontal bracket and re-hang the DecoFrame until the vertical placement become satisfactory.

Hint: Turn on the TV so the visible edges of the image can be used to compare with DecoFrame's opening.

Move DecoFrame side to side to center the horizontal placement. Check for centered and level and make final adjustments as needed.

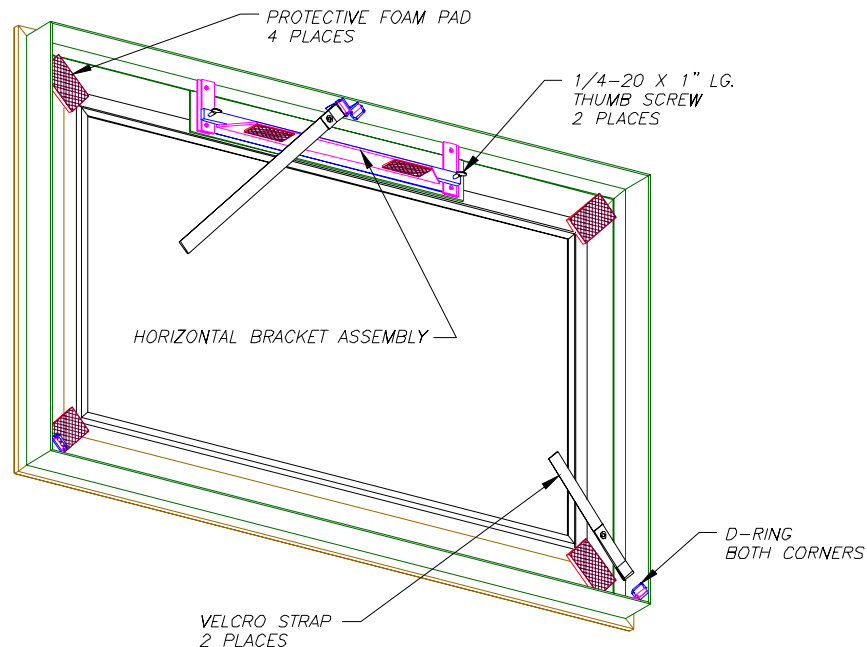


Figure 2
DecoFrame Key Components

IR REPEATER INSTALLATION

Remove DecoFrame from TV; identify and note the location of the TV IR sensor.

Prepare the IR repeater as outlined in the IR REPEATER USER GUIDE included with the kit.

Hang DecoFrame back onto TV; note the TV IR sensor location and matching location on the backside of DecoFrame.

Remove DecoFrame from TV. Peel off adhesive liner from the back of IR emitter (Figure 4) and attach it to a location on the backside of DecoFrame that is directly in front of the TV sensor.

Hang DecoFrame back onto TV. Place IR control module in a convenient location with the IR receiver outside to be seen by the TV remote control. Plug the IR wall transformer to an AC 120V outlet.

Aiming the TV remote control at the IR receiver and test the remote control operations. The TV remote control is expected to operate as normal.

If the TV does not respond to the remote control commands; check the followings:

- ♣ Check that IR emitter is in front of TV sensor.
- ♣ Be sure IR receiver is seen by the TV remote control.
- ♣ LED status indicator must be flashing when a command from the TV remote control is sent.
- ♣ Check IR wall transformer and be sure it is properly plugged to the outlet and 120V is presented.

If after performing the checks above and the IR repeater is still not responding to the TV remote control; contact Vutec dealer for a replacement.

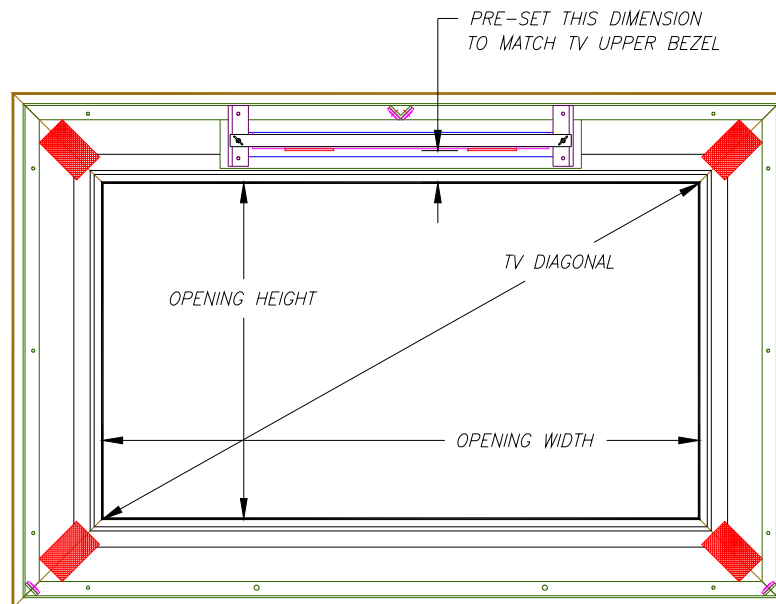


Figure 3
Backside of DecoFrame

FINAL HANGING

Be sure the IR emitter remains in the correct location on the back of DecoFrame.

Hang the DecoFrame to TV. Center the opening to TV's image.

Flip the Velcro straps to the backside. Insert each strap through corner ring; hold DecoFrame firmly against TV bezels while pulling tight on each strap, fold over the ring and attach to itself.

The IR control module may be placed inside the DecoFrame (Figure 4) or attached to the back of the TV. Use adhesive strip provided for attachment.

Determine location for the IR receiver that can be seen by TV remote control at normal seating location.

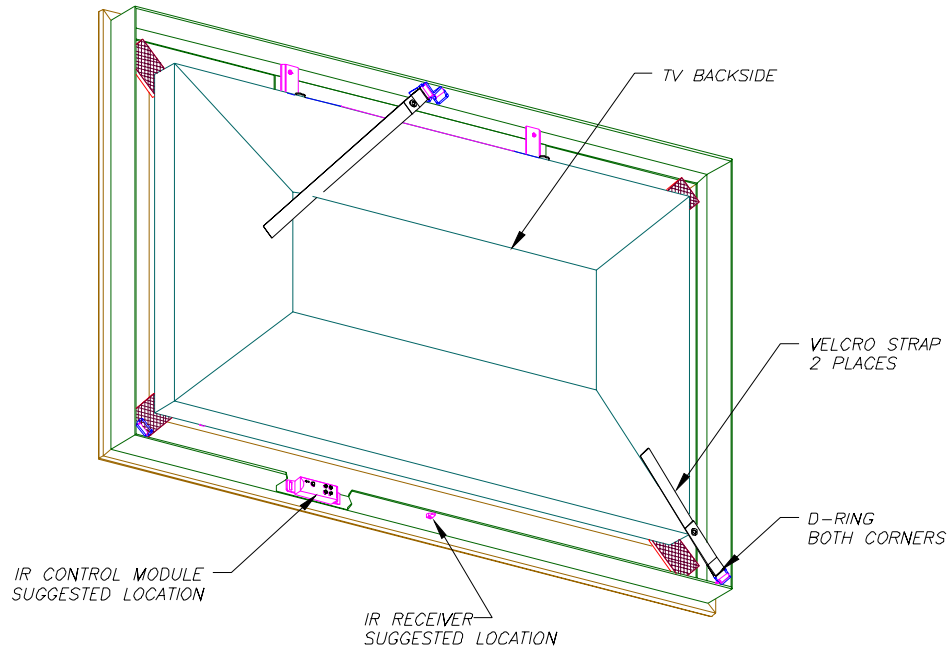


Figure 3
Complete DecoFrame Over TV – Rear View

PART LIST

- 1 COMPLETE DECOFRAME ASSEMBLY**
- 1 IR REPEATER KIT**