

PARTS REQUIRED:

<u>QUANTITY</u>	<u>DESCRIPTION</u>
2	HORIZONTAL FRAME
2	VERTICAL FRAME
2	VERTICAL SUPPORT
4	CORNER SUPPORT
1	1x2 MOUNT ANGLE
2	1x2 ADAPTER ANGLE
2	VERTICAL LOCATOR ANGLE
1	SCREEN FABRIC (ROLLED)

HARDWARE REQUIRED:

<u>QUANTITY</u>	<u>DESCRIPTION</u>
4	CORNER BRACKET SET
20	1/4-20 X 1/4 LG. SOCKET SET SCREW
20	#8 X 3/4 LG. PAN HEAD PHILLIP SCREW
6	#8 X 1 1/2 TRUSS HEAD PHILLIP SCREW
10	#8 X 2 1/2 LG. TRUSS HEAD PHILLIP SCREW
1	1/8 HEX KEY

NOTE: SOME HARDWARE ARE PROVIDED EXTRA!

VUTEC CORPORATION

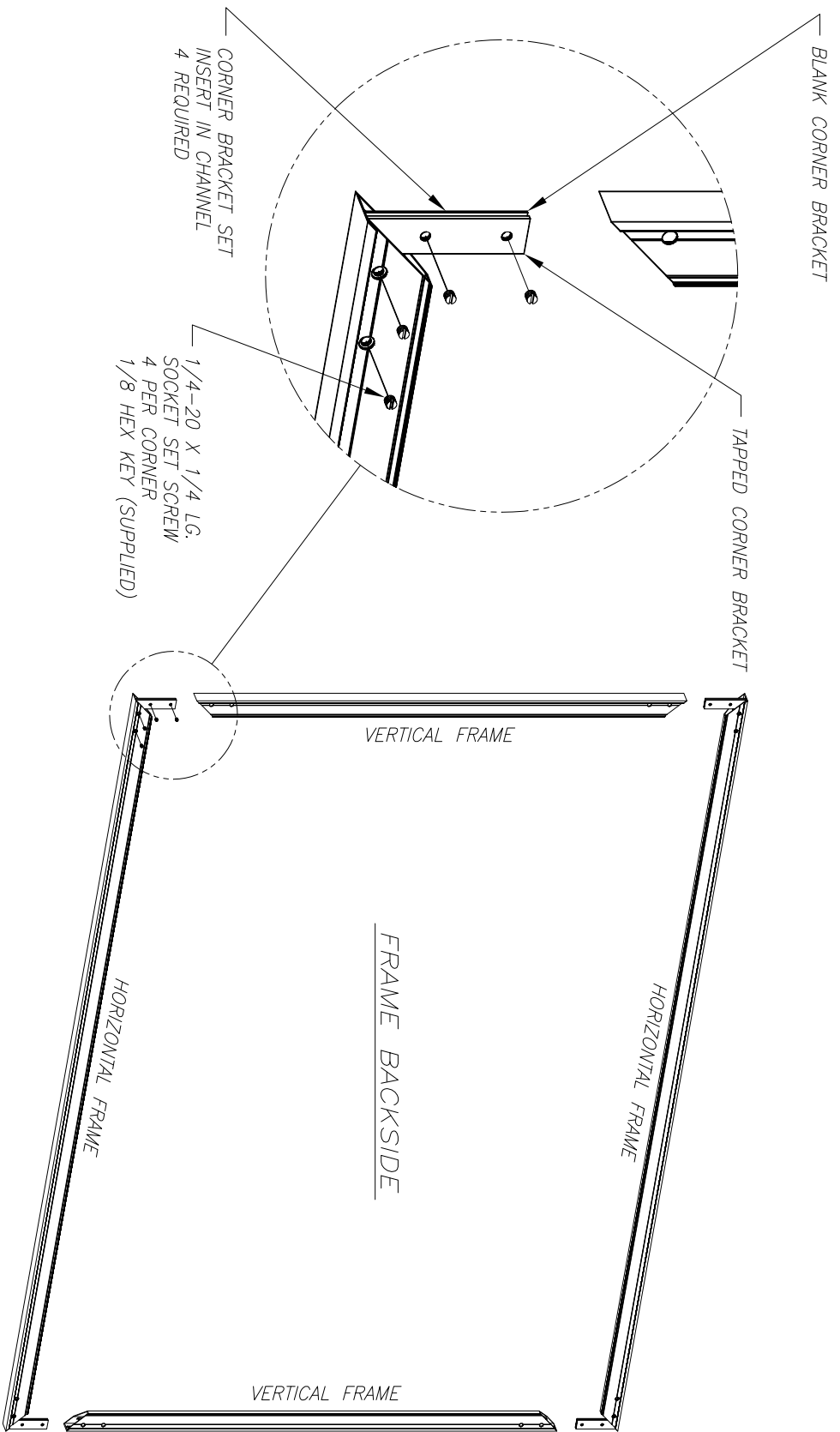
2741 N.E. 4th AVENUE. POMPANO BEACH, FL 33064

DRAWN BY
04/23/08 HN

DESCRIPTION
FRAME ASSEMBLY
AUTOMASK H&V-MASKING

DRAWING NO.
AMH-INSTL_FRAME

SCALE: NONE REV A

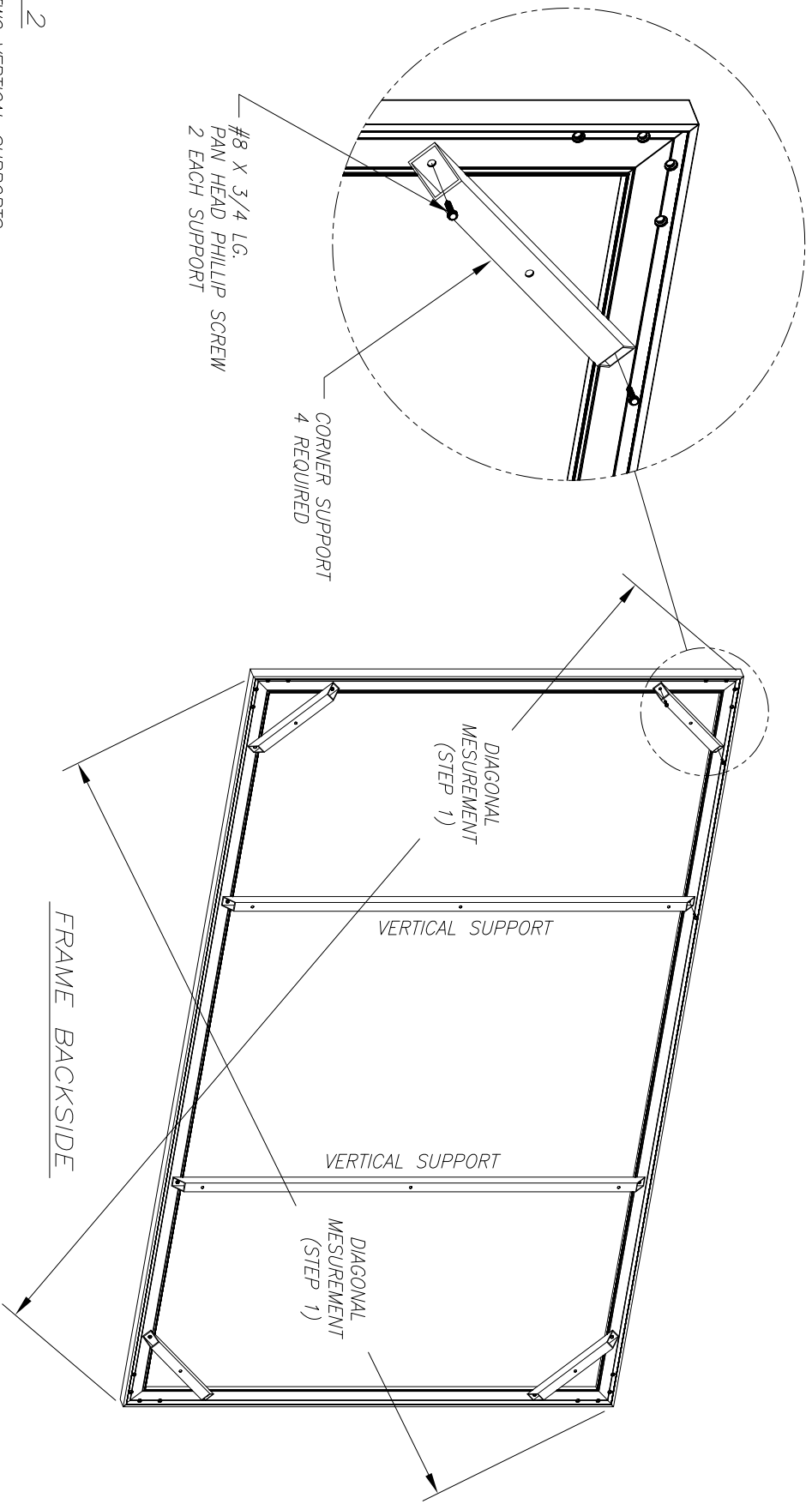


STEP 1

- 1 - DETERMINE A CLEANED AND FLAT SURFACE BIG ENOUGH TO ASSEMBLE THE SCREEN FRAME.
- 2 - LOOSELY ASSEMBLE THE FRAME PIECES AND CORNER BRACKET SET TOGETHER.
- 3 - TIGHTEN THE SET SCREW TO FORM SCREEN FRAME.
- 4 - MEASURE THE DIAGONALS (SEE STEP 2) TO CHECK SQUARENESS. THE DIAGONAL MEASUREMENTS MUST BE EQUAL. MAKE ADJUSTMENTS AS NECESSARY.
- 5 - TIGHTEN ALL SCREWS ONCE THE FINISH FRAME IS SQUARE.

VUTECH CORPORATION

DRAWN BY	DESCRIPTION	DRAWING NO.
04/23/08 HN	2741 N.E. 4th AVENUE. POMPANO BEACH, FL 33064	AMH-INSTL_FRAME
CHECKED BY	FRAME ASSEMBLY	SCALE: NONE
	AUTOMASK H&V-MASKING	REV A



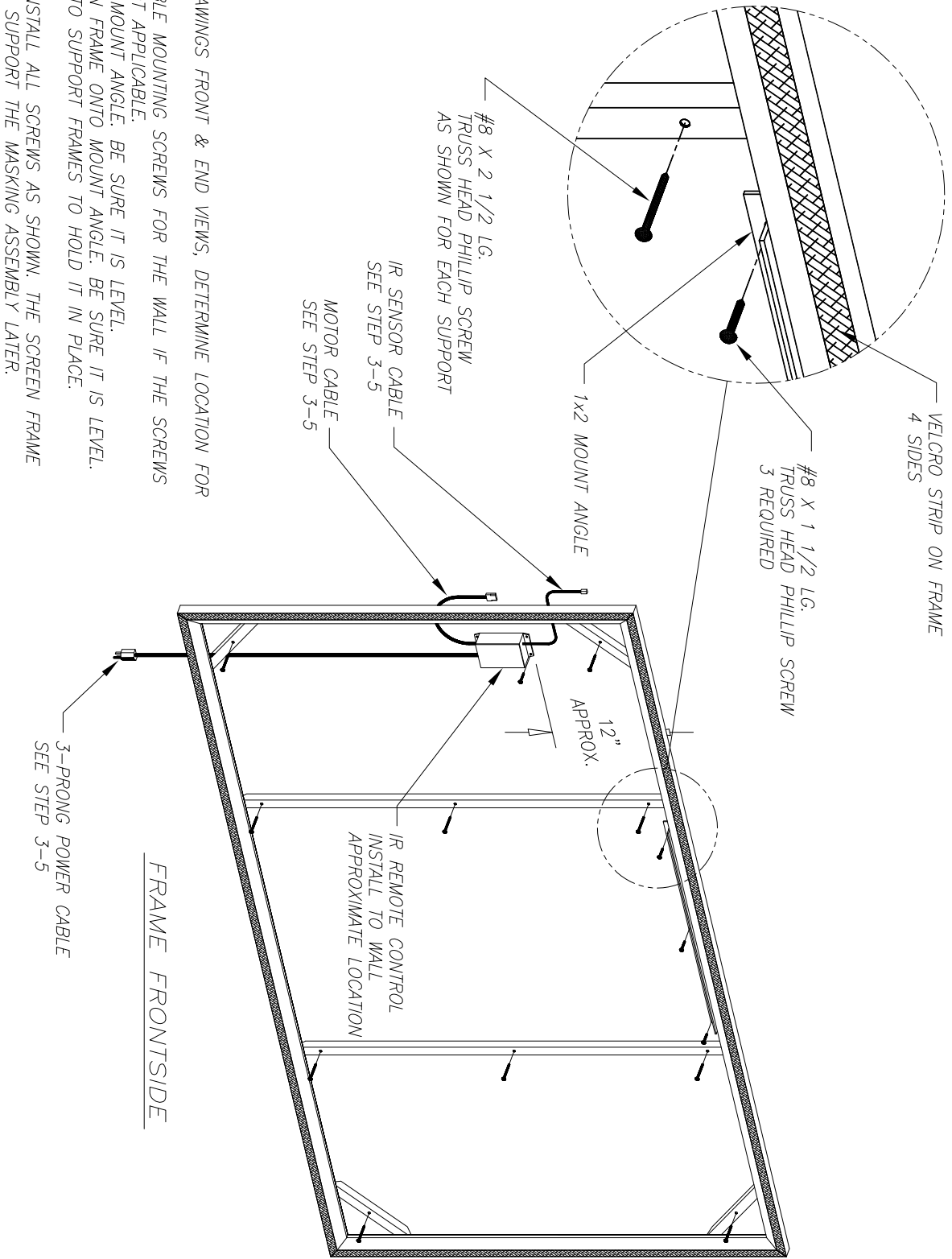
STEP 2

- 1 - ATTACH TWO VERTICAL SUPPORTS.
- 2 - ATTACH FOUR CORNER SUPPORTS.
- 3 - AGAIN, CHECK SQUARENESS OF THE ASSEMBLED FRAME. MAKE ADJUSTMENTS AS REQUIRED.
- 4 - TIGHTEN ALL SCREWS.

VUTECH CORPORATION

2741 N.E. 4th AVENUE, POMPANO BEACH, FL 33064

DRAWN BY	04/23/08	HN	DESCRIPTION	FRAME ASSEMBLY	DRAWING NO.	AMH-INSTL_FRAME
CHECKED BY				AUTOMASK H&V-MASKING		
					SCALE:	NONE
						REV
						A



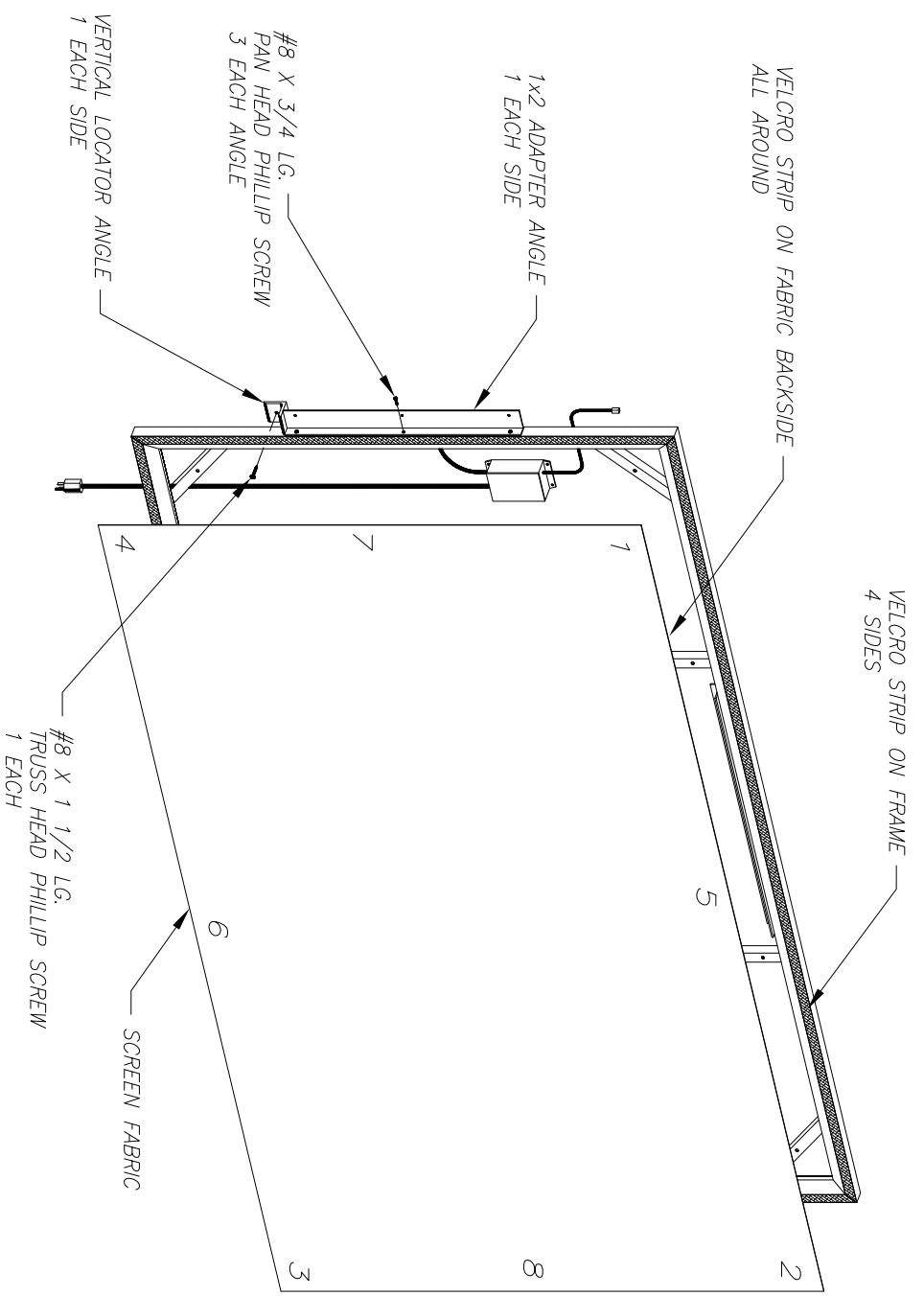
STEP 3

- 1 - REFERRING TO DRAWINGS FRONT & END VIEWS, DETERMINE LOCATION FOR THE SCREEN.
- 2 - DETERMINE SUITABLE MOUNTING SCREWS FOR THE WALL IF THE SCREWS SUPPLIED ARE NOT APPLICABLE.
- 3 - INSTALL THE 1x2 MOUNT ANGLE. BE SURE IT IS LEVEL.
- 4 - HANG THE SCREEN FRAME ONTO MOUNT ANGLE. BE SURE IT IS LEVEL. INSTALL SCREWS TO SUPPORT FRAMES TO HOLD IT IN PLACE.

WARNING: MUST INSTALL ALL SCREWS AS SHOWN. THE SCREEN FRAME WILL BE USED TO SUPPORT THE MASKING ASSEMBLY LATER.

- 5 - INSTALL THE IR REMOTE CONTROL BOX TO THE WALL. BE SURE ALL THREE CABLES ARE PLACE BEHIND AND OUT SIDE OF SCREEN FRAME FOR CONNECTIONS. IT IS RECOMMENDED THAT THE POWER FOR THE SCREEN BE DETERMINED AND CONNECTED AT THIS TIME.

VUTECH CORPORATION	
DRAWN BY 04/23/08 HN	DESCRIPTION 2741 N.E. 4th AVENUE. POMPANO BEACH, FL 33064
FRAME ASSEMBLY	
AUTOMASK H&V-MASKING	
DRAWING NO. AMH-INSTL_FRAME	SCALE: NONE
REV A	



STEP 4

- 1 - UNROLL THE SCREEN FABRIC THEN LIFT IT UP TO AVOID CREASING.
 - 2 - ATTACH THE FABRIC TO SCREEN FRAME BY THE ORDER OF THE NUMBERS SHOWN. ATTACH THE SCREEN IN SMALL SPOT JUST ENOUGH TO HOLD IT TO FRAME. THE OUTER EDGES OF FABRIC SHOULD BE EVEN WITH EDGES OF FRAME.
 - 3 - CONTINUE TO APPLY THE REMAINING OF FABRIC TO FRAME.
 - 4 - WRINKLES MAY BE REMOVED BY PEELING AND REAPPLYING FABRIC TO FRAME. REPEAT AS OFTEN UNTIL SMOOTH SURFACE IS ACHIEVED.
- HINT: THE FRONT COVER WILL COVER 1 5/8 INCHES INWARD FROM THE EDGES. SLIGHT WRINKLES AT THE VELCRO LINES WILL NOT BE SEEN.
- 5 - ATTACH 1x2 ADAPTER ANGLES TO FRAME.
 - 6 - ATTACH VERTICAL LOCATOR ANGLES TO WALL. IT SHOULD TOUCH THE SIDE FRAME AND DIRECTLY UNDER THE ADAPTER ANGLE.

VUTECH CORPORATION	
DRAWN BY 04/23/08 HN CHECKED BY	DESCRIPTION 2741 N.E. 4th AVENUE. POMPANO BEACH, FL 33064 FRAME ASSEMBLY AUTOMASK H&V-MASKING
DRAWING NO. AMH-INSTL_FRAME	SCALE: NONE REV A

PARTS REQUIRED:

<u>QUANTITY</u>	<u>DESCRIPTION</u>
1	TOP ROLLER ASSEMBLY
1	BOTTOM COVER
2	VERTICAL CONNECTOR
2	SIDE COVER

ELECTRICAL PARTS

<u>QUANTITY</u>	<u>DESCRIPTION</u>
1	4-TERMINAL EUROSTRIP
1	SPDT, 15A @ 120VAC, DECORA WALL SWITCH
1	DECORA WALL PLATE

HARDWARE REQUIRED:

<u>QUANTITY</u>	<u>DESCRIPTION</u>
24	#6-32 X 3/8 LG. FLAT HEAD PHILLIP SCREW
8	#10-32 X 3/4 LG. PAN HEAD PHILLIP SCREW
8	HELICAL LOCK WASHER (#10 SCREW)
8	FLAT WASHER (#10 SCREW)
24	1/2 DIA. VETVET DOT
1	5/32 PLASTIC HEX KEY (MOTOR LIMIT ADJUSTER)

NOTE: SOME HARDWARE ARE PROVIDED EXTRA!

VUTEC CORPORATION

2741 N.E. 4th AVENUE. POMPANO BEACH, FL 33064

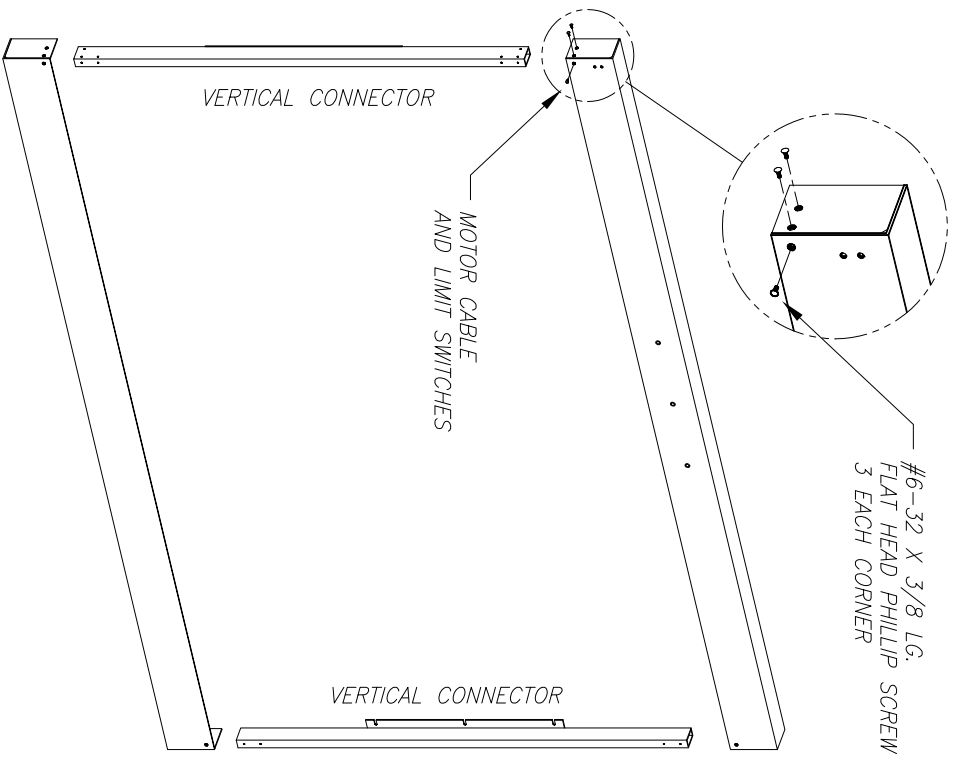
DRAWN BY
04/23/08 HN

CHECKED BY

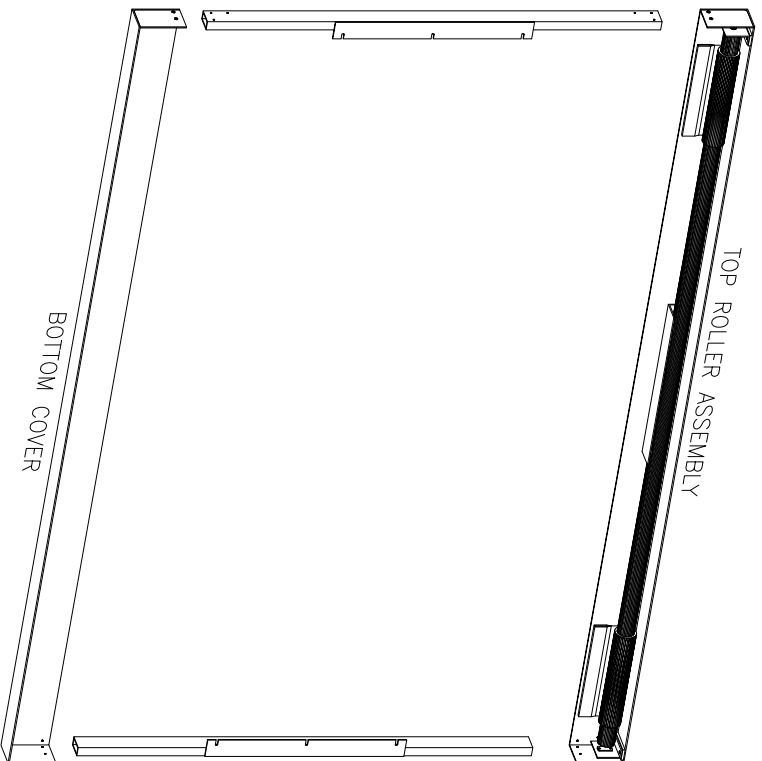
DESCRIPTION
COVER ASSEMBLY
AUTOMASK V-MASKING

DRAWING NO.
AMV-INSTL_COVER

SCALE: NONE REV A



ASSEMBLIES FRONTSIDE
SIDE COVERS NOT SHOWN

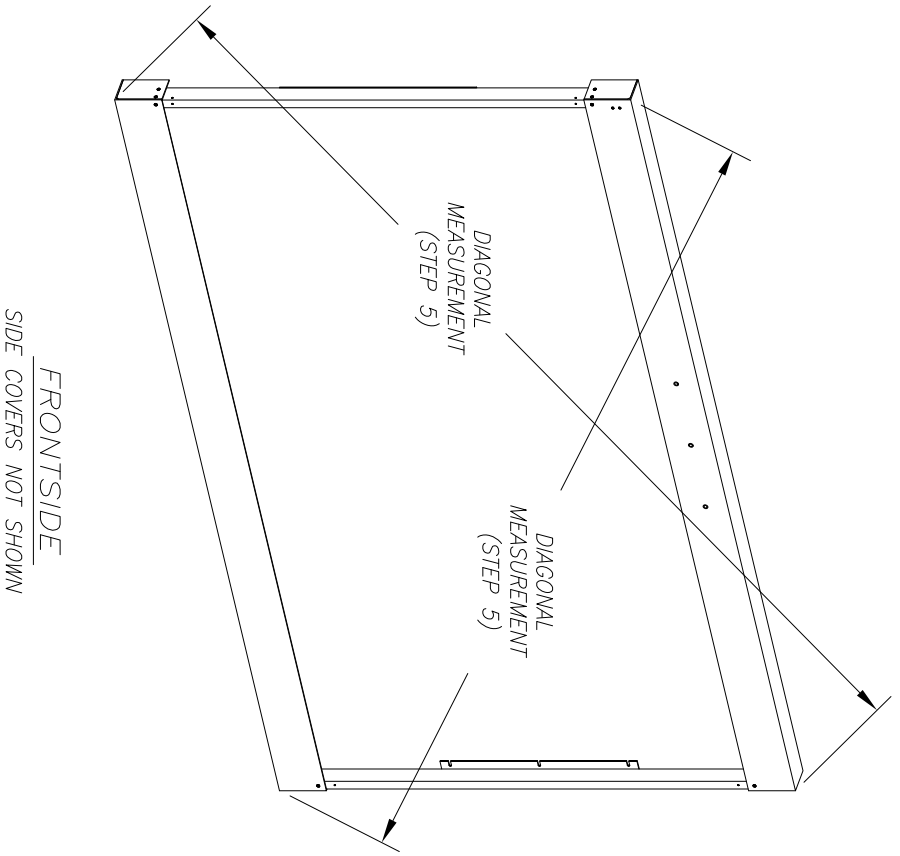


ASSEMBLIES BACKSIDE

STEP 5

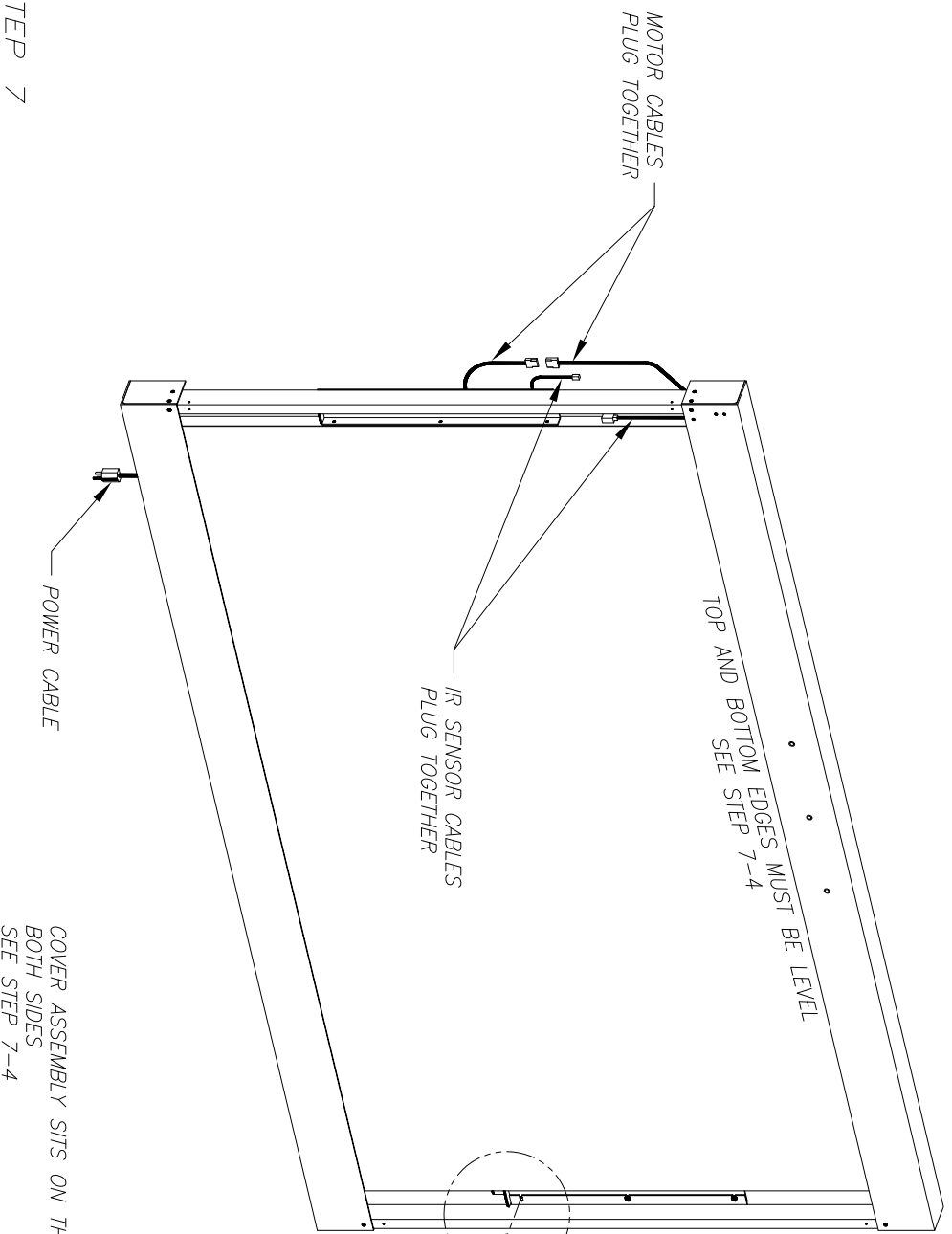
- 1 - DETERMINE A CLEANED AND FLAT SURFACE BIG ENOUGH TO ASSEMBLE THE MASKING ASSEMBLIES. CARE SHOULD BE TAKEN TO PROTECT VELVET FINISH.
- 2 - WITH THE FRONTSIDE FACE UP; LOOSELY ASSEMBLE THE ASSEMBLIES TOGETHER AS SHOWN.
- 3 - TEMPORARILY PLACE THE SIDE COVERS IN PLACES TO PROPERLY SPACE THE TOP AND BOTTOM ASSEMBLIES APART.
- 4 - TIGHTEN THE SCREWS TO FORM A COMPLETE ASSEMBLY.
- 5 - MEASURE THE DIAGONALS (SEE STEP 6) TO CHECK SQUARENESS. THE DIAGONAL MEASUREMENTS MUST BE EQUAL. MAKE ADJUSTMENTS AS NECESSARY.
- 6 - TIGHTEN ALL SCREWS ONCE THE COMPLETE ASSEMBLY IS SQUARE.
- 7 - REMOVE THE SIDE COVERS.

<p>VUTECH CORPORATION 2741 N.E. 4th AVENUE. POMPANO BEACH, FL 33064</p>		<p>DRAWN BY 04/23/08 HN</p>
		<p>CHECKED BY</p>
<p>COVER ASSEMBLY AUTOMASK V-MASKING</p>		<p>DRAWING NO. AMV-INSTL_COVER</p>
<p>SCALE: NONE</p>		<p>REV A</p>



- STEP 6
- 1 – AGAIN, CHECK SQUARENESS OF THE COMPLETE ASSEMBLY. MAKE ADJUSTMENTS AS REQUIRED.
 - 2 – TIGHTEN ALL FLAT HEAD SCREWS.

VUTECH CORPORATION	
<small>DRAWN BY</small> 04/23/08 HN	<small>DESCRIPTION</small> 2741 N.E. 4th AVENUE. POMPANO BEACH, FL 33064
<small>CHECKED BY</small>	<small>DRAWING NO.</small> AMV-INSTL_COVER
	<small>SCALE: NONE</small>
	<small>REV</small> A
<small>COVER ASSEMBLY AUTOMASK V-MASKING</small>	

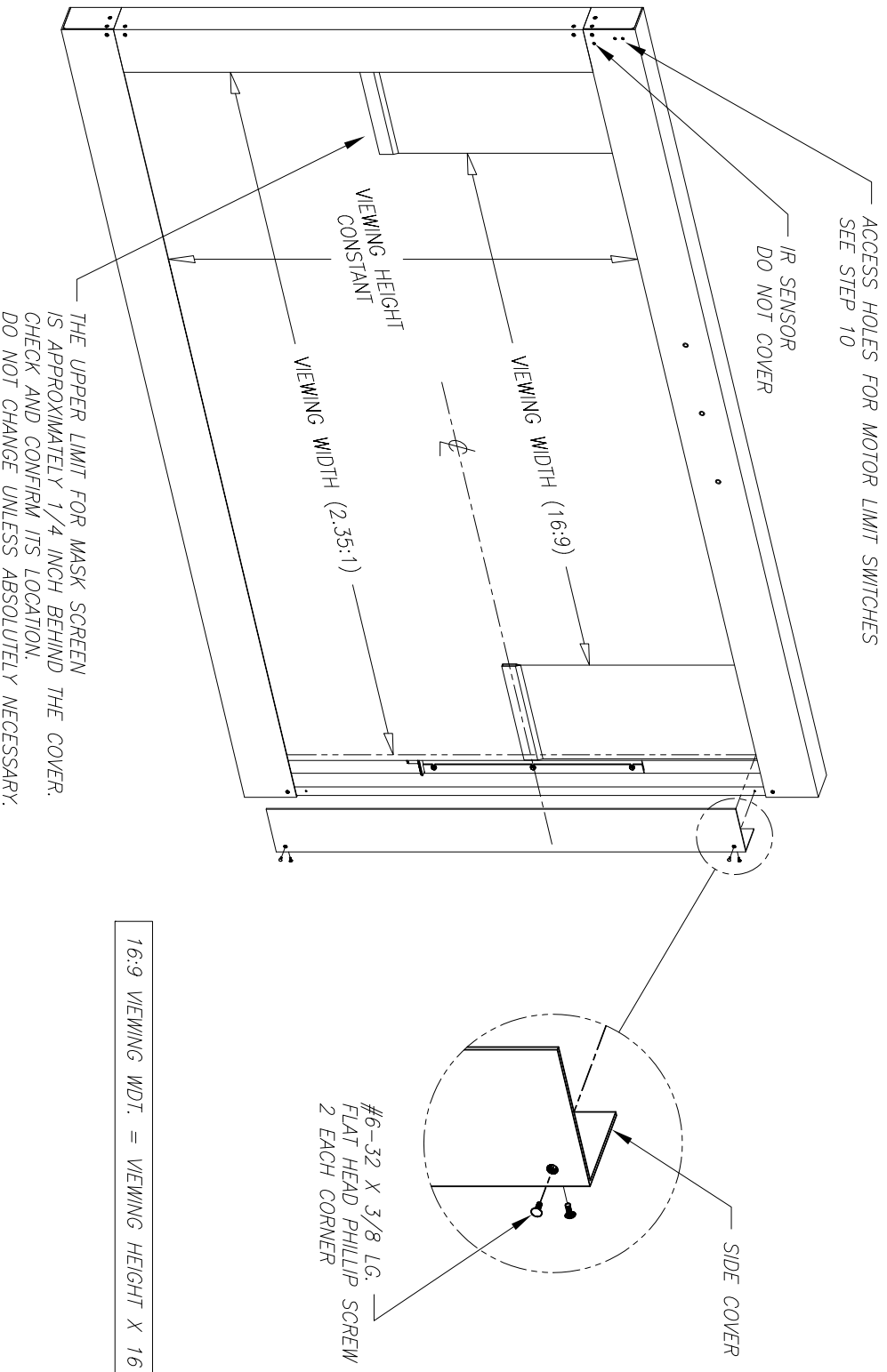


COVER ASSEMBLY SITS ON THIS ANGLE
BOTH SIDES
SEE STEP 7-4

#10-32 X 3/4 LG.
PAN HEAD PHILLIP SCREW
HELICAL LOCK WASHER
FLAT WASHER
3 EACH SIDE

- STEP 7**
- 1 - THE COMPLETE COVER ASSEMBLY IS INDEPENDENT OF THE SCREEN. IT IS TO BE PLACED OVER THE SCREEN WHICH SHOULD BE INSTALLED ON THE WALL ALREADY.
 - 2 - CAREFULLY PLACES THE COVER ASSEMBLY OVER THE SCREEN AND SITS ON THE ANGLES.
 - 3 - BE SURE THE COVER ASSEMBLY IS CENTERED HORIZONTALLY. MOVE IT SIDE TO SIDE AS NECESSARY. TIGHTEN ALL SCREWS.
 - 4 - THE COVER ASSEMBLY MUST BE LEVEL. IF IT IS NOT, ADD SHIMS (NOT SUPPLIED) TO THE ANGLES OR ADJUST THE ANGLE LOCATIONS AS NECESSARY.
 - 5 - PLUG THE MOTOR CABLES TOGETHER. PLUG THE IR SENSOR CABLES TOGETHER.
 - 6 - CHECK THE POWER CABLE TO AN OUTLET.
- CHECK AND BE SURE ALL CABLES ARE PROPERLY PLACED AND WILL NOT INTERFERE WITH ANY ADJACENT PARTS.

VUTECH CORPORATION	
DRAWN BY 04/23/08 HN CHECKED BY	DESCRIPTION 2741 N.E. 4th AVENUE. POMPANO BEACH, FL 33064
FINAL ASSEMBLY AUTOMASK V-MASKING	
DRAWING NO. AMV-INSTL_FINAL	SCALE: NONE REV A



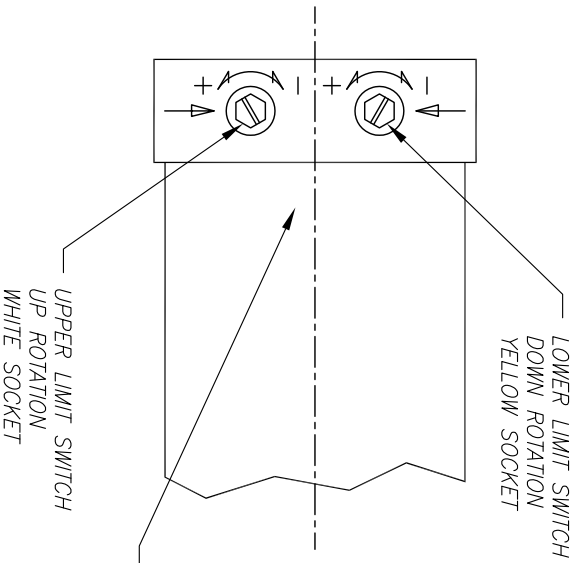
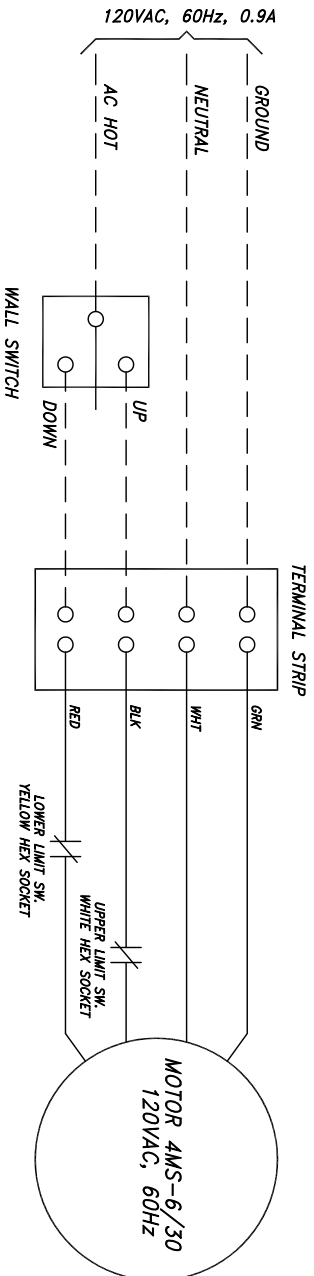
STEP 8

- 1 - PLUG THE POWER CABLE TO A 120 VAC OUTLET.
- 2 - THE LOWER LIMIT OF THE MOTOR HAS BEEN PRESET FOR THE MASK SCREEN.
- 3 - PRESS THE CLOSE-1 BUTTON OF THE TRANSMITTER TO SEND THE MASK SCREEN DOWN. IT SHOULD STOP WHEN THE WEIGHT BAR POCKET JUST GOES BELOW THE BOTTOM COVER.
- 4 - INSTALL SIDE COVERS. PLACE VELVET DOTS OVER HOLES AND SCREW HEADS FOR A FINISHED INSTALLATION.

<h1>VUTECH CORPORATION</h1>	
DRAWN BY 04/23/08 HN CHECKED BY	DESCRIPTION 2741 N.E. 4th AVENUE. POMPANO BEACH, FL 33064 FINAL ASSEMBLY AUTOMASK V-MASKING
DRAWING NO. AMV-INSTL_FINAL	SCALE: NONE REV A

STEP 10

- 1 - THE MOTOR CABLE (STEP 9) MAY BE CUT TO INSTALL THE WALL SWITCH
- 2 - DASHED WIRING BY INSTALLERS. WIRING MUST BE PERFORMED BY QUALIFIED ELECTRICIANS AND COMPLIED WITH NATIONAL AND/OR LOCAL ELECTRICAL CODES AND REGULATIONS.
- 3 - MOTOR: 4MS-6/30, 120VAC, 30 RPM, 0.9 Amp.
- 4 - CURRENT IN-RUSH FACTOR: 8
- 5 - SWITCH CONTROL: SPDT, 15 Amp @ 120 VAC



MOTOR LIMIT SWITCHES

USE 5/32 HEX KEY (SUPPLIED)
OR 1/8 WIDE FLAT BLADE SCREWDRIVER TO TURN

THE MOTOR LIMIT SWITCHES ARE ACCESS THROUGH THE HOLES PROVIDED ON FRONT COVER

LIMIT SWITCH ADJUSTMENTS

- 1 - NORMALLY, USER DO NOT NEED TO ADJUST THE UPPER AND LOWER LIMITS OF THE MASK SCREEN UNLESS THE MOTOR HAS BEEN SERVICED.
- 2 - NOTE EACH FULL TURN OF THE LIMIT SWITCH SOCKET WILL CAUSE THE SCREEN TO TRAVEL APPROXIMATELY 1/2 INCH.
- 3 - TURN EACH SWITCH SOCKET IN THE DESIRED DIRECTION TO EFFECT THE CHANGE.
- 4 - SEND THE SCREEN UP OR DOWN TO SEE THE CHANGE
- 5 - REPEAT STEP 3 AS OFTEN TO SATISFY THE CHANGE REQUIREMENTS.

VUTECH CORPORATION

2741 N.E. 4th AVENUE. POMPANO BEACH, FL 33064

DRAWN BY
04/23/08 HN
CHECKED BY

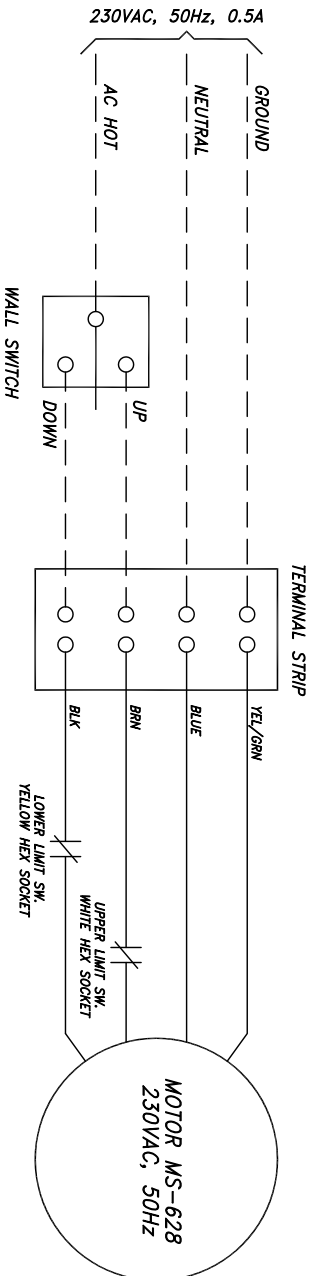
DESCRIPTION
WIRING DIAGRAM - 120VAC
AUTOMASK H&V-MASKING

DRAWING NO.
AMH-INSTL_WD
SCALE: 1/20

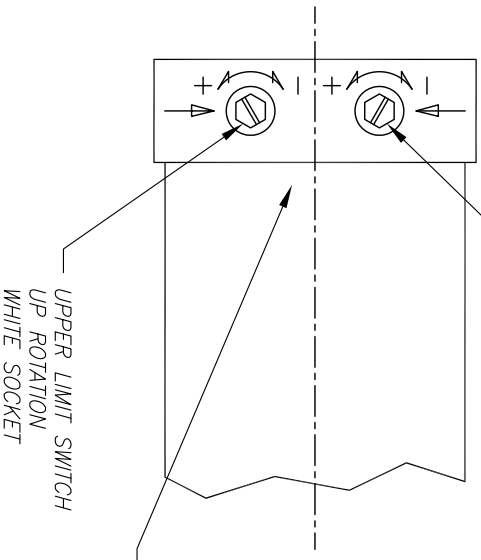
REV
A

STEP 10

- 1 - THE MOTOR CABLE (STEP 9) MAY BE CUT TO INSTALL THE WALL SWITCH.
- 2 - DASHED WRING BY INSTALLERS. WIRING MUST BE PERFORMED BY QUALIFIED ELECTRICIANS AND COMPLIED WITH NATIONAL AND/OR LOCAL ELECTRICAL CODES AND REGULATIONS.
- 3 - MOTOR: MS-628, 230VAC, 28 RPM, 0.5 Amp.
- 4 - CURRENT IN-RUSH FACTOR: 8
- 5 - SWITCH CONTROL: SPDT, 15 Amp @ 250 VAC



LOWER LIMIT SWITCH
DOWN ROTATION
YELLOW SOCKET



MOTOR LIMIT SWITCHES

USE 5/32 HEX KEY (SUPPLIED)
OR 1/8 WIDE FLAT BLADE SCREWDRIVER TO TURN

LIMIT SWITCH ADJUSTMENTS

- 1 - NORMALLY, USER DO NOT NEED TO ADJUST THE UPPER AND LOWER LIMITS OF THE MASK SCREEN UNLESS THE MOTOR HAS BEEN SERVICED.
 - 2 - NOTE EACH FULL TURN OF THE LIMIT SWITCH SOCKET WILL CAUSE THE SCREEN TO TRAVEL APPROXIMATELY 1/2 INCH.
 - 3 - TURN EACH SWITCH SOCKET IN THE DESIRED DIRECTION TO EFFECT THE CHANGE.
 - 4 - SEND THE SCREEN UP OR DOWN TO SEE THE CHANGE
 - 5 - REPEAT STEP 3 AS OFTEN TO SATISFY THE CHANGE REQUIREMENTS.
- THE MOTOR LIMIT SWITCHES ARE ACCESS THROUGH THE HOLES PROVIDED ON FRONT COVER

VUTECH CORPORATION

2741 N.E. 4th AVENUE. POMPANO BEACH, FL 33064

WIRING DIAGRAM - 230VAC
AUTOMASK H&V-MASKING

AMH-INSTL_WD

SCALE: 1/20

REV
A

DRAWN BY

04/23/08 HN

CHECKED BY

DESCRIPTION

DRAWING NO.